

# **duraflo**<sup>®</sup> *Gooseneck* ROOF **DRYER** EXHAUST VENT



**Ideal for  
condominiums,  
townhouses,  
apartment  
buildings and  
homes with an  
upstairs laundry  
room**

- Provides weather protection with 5" of additional height for snow clearance
- Attaches to 4", 5" or 6" duct
- Additional collar available which fits a 6", 7" or 8" duct
- Available in 4 colors: black, brown, weatherwood and grey

### Constructed for:



**COLD  
INSTALLATIONS**



**LIGHTWEIGHT  
HANDLING**

### Resistant to:



**WIND**



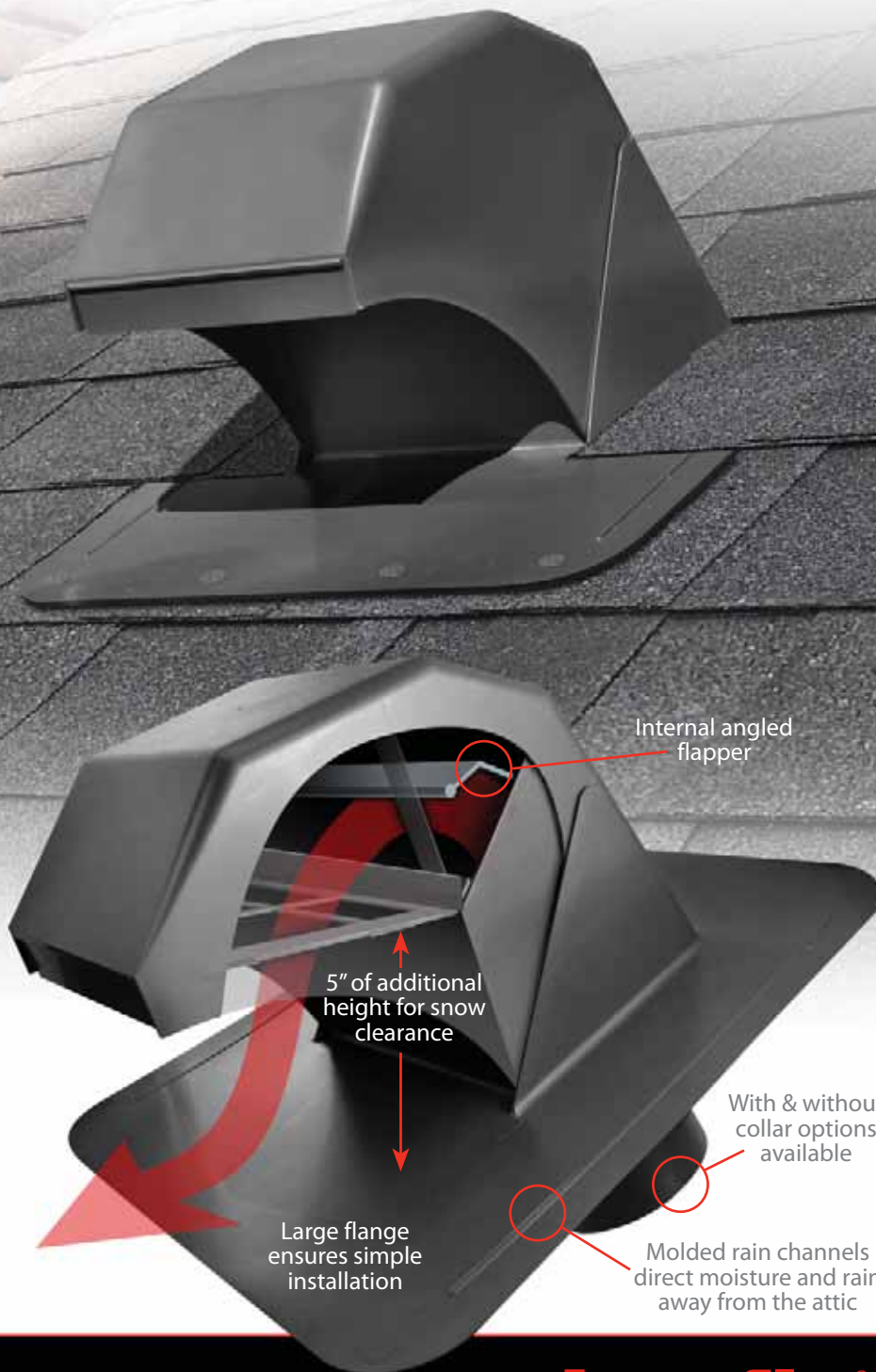
**SNOW**



**RAIN**



**UV**



Internal angled  
flapper

5" of additional  
height for snow  
clearance

With & without  
collar options  
available

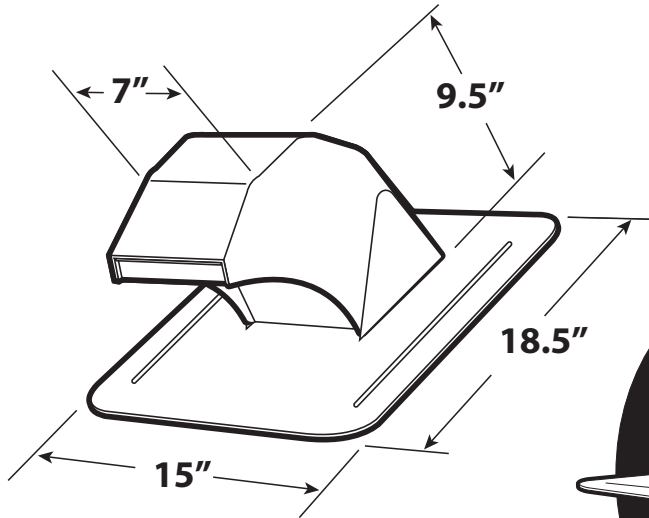
Large flange  
ensures simple  
installation

Molded rain channels  
direct moisture and rain  
away from the attic

**duraflo**<sup>®</sup>  
WE KNOW VENTILATION

Models: # 6032 and # 6033

# duraflo® Gooseneck ROOF DRYER EXHAUST VENT



**Description:**

Ideal for condominiums, townhouses, apartment buildings and homes with an upstairs laundry room

- Provides weather protection with 5" of additional height for snow clearance
- Attaches to 4", 5" or 6" duct
- Additional collar available which fits a 6", 7" or 8" duct
- Available in 4 colors: black, brown, weatherwood and grey

**Durability:**

Engineered to resist denting, peeling, extreme heat and cold, impact resistant to -40°

**Colors:**

Black, Brown, Grey, Weatherwood

Collar accepts 4", 5" and 6" duct pipe

**6032 GOOSENECK ROOF DRYER EXHAUST VENT - WITH COLLAR**

DESCRIPTION	PART #	CTN. QTY.	WT.CTN. (LBS.)
Black	6032BL	1	3
Brown	6032BR	1	3
Grey	6032G	1	3
Weatherwood	6032WW	1	3

**6033 GOOSENECK ROOF DRYER EXHAUST VENT - WITHOUT COLLAR**

DESCRIPTION	PART #	CTN. QTY.	WT.CTN. (LBS.)
Black	6033BL	1	2
Brown	6033BR	1	2
Grey	6033G	1	2
Weatherwood	6033WW	1	2

**GOOSENECK VENT ADAPTER COLLAR 4",5",6"**

DESCRIPTION	PART #	CTN. QTY.	WT.CTN. (LBS.)
Black	6030-4BC	8	4



**Eastern U.S. Customers**  
Tel: (289) 881-0120  
Toll Free: 1-800-463-9572  
Fax: (905) 844-0826  
www.ipexna.com | sales@ipexamerica.com

**Western U.S. Customers**  
Tel: (303) 373-1918  
Toll Free: 1-888-461-5307  
Fax: (303) 373-1923