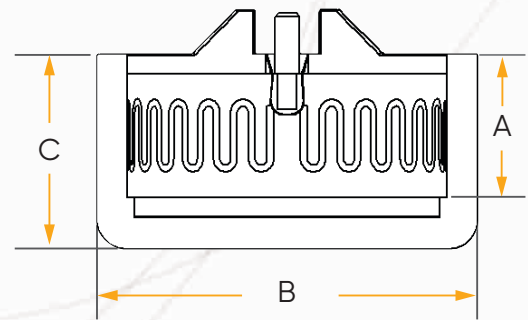


Enfield™ Electrofusion Acid Waste Systems

PRODUCT INFORMATION BULLETIN

NEW 2" Enfield™ Cap

IPEX is pleased to announce the release of a new 2" Enfield™ Cap. This molded cap will replace the previously fabricated version. The molded design provides a cleaner more compact solution for capping 2" Enfield pipe and includes clamp guides on the socket for easier installation.



Fabricated Cap Socket

Size (in.)	Product Code	Significant Number	Dimension (in.)		
			A	B	C
2	257022	L640	1-1/8	2-7/8	1-7/16

NEW

3" through 6" fabricated caps are available via the price list

For more than 30 years, IPEX has been supplying industrial, commercial, school and hospital laboratories throughout North America with high-quality, easy-to-install acid waste systems designed to handle a wide variety of chemicals and pH levels.

IPEX offers a complete range of pipe and fittings in a variety of materials to suit any acid waste application.



IPEX Inc.
Toll Free: (866) 473-9462
ipexna.com