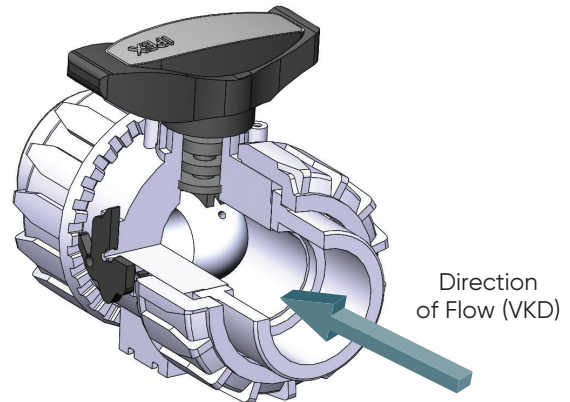
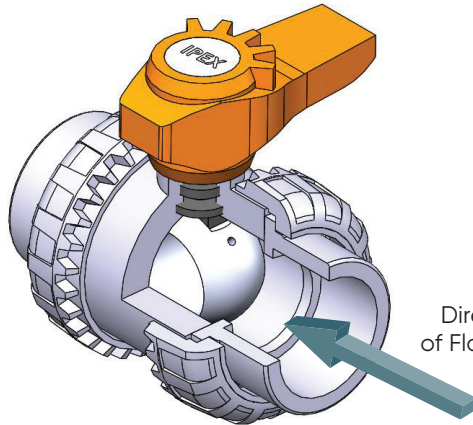


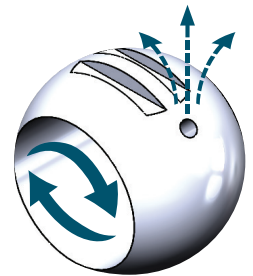
# VXE & VKD Vented Ball Valves

TOLL FREE CANADA: (866) 473-9462  
ipexna.com

## INDUSTRIAL PIPING SYSTEMS



IPEX's vented ball valves are designed to protect the ball and body from a failure due to potential off-gassing. When a ball valve is cycled to the closed position, liquid may be trapped in the ball cavity. Chemicals such as sodium hypochlorite (NaOCl), hydrogen peroxide (H<sub>2</sub>O<sub>2</sub>), and aqua ammonia (NH<sub>3</sub>) may off-gas and cause a potentially dangerous pressure build up. Without proper pressure relief, this may cause the valve to prematurely fail.



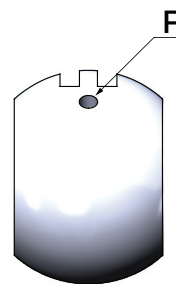
IPEX vented ball valves feature a small vent hole on the upstream side of the ball that will relieve the pressure from the ball cavity while maintaining a positive seal on the downstream side.

To ensure the valve is installed correctly, a label indicating the direction of flow is affixed to the valve body. For further details on IPEX valves, please refer to the product data sheets, technical manual, or visit ipexna.com



Size Chart

VXE	VKD	F (mm)	F (inch)
-	3/8"	4	5/32
1/2"	1/2"	4	5/32
3/4"	3/4"	4	5/32
1"	1"	4	5/32
1-1/4"	1-1/4"	6	1/4
1-1/2"	1-1/2"	6	1/4
2"	2"	6	1/4
2-1/2"	2-1/2"	8	5/16
3"	3"	8	5/16
4"	4"	8	5/16
6"	-	8	5/16



Product Options

BODY MATERIAL:	PVC or CPVC
SEALS TYPE:	EPDM or FPM
CONNECTION TYPE*:	Socket, Threaded, or Flanged

\*Connection type option may vary depending on the size.