



Job or Customer:

Engineer:

Contractor:

Submitted by: Date

Approved by: Date

Order No: Date

Specification:

ADDITIONAL CORROSIVE WASTE PRODUCTS

ENFIELD™
ELECTROFUSION ACID WASTE SYSTEM

LABLINE®
MECHANICAL JOINT ACID WASTE SYSTEM

PLENUMLINE™
FR-PVDF MECHANICAL JOINT ACID WASTE SYSTEM

NEUTRATANK®
NEUTRALIZATION TANKS

Encase™
PP Double Containment System

IPEX corrosive waste piping system has all the accessories necessary for a truly integrated plumbing system, including non-adjustable acid-resistant floor drains.

For efficiently managing chemical spills, our Floway™ non-adjustable polypropylene drain ports are specially designed to feed into IPEX acid waste systems.

Key Advantages of the IPEX Floway™ non-adjustable polypropylene floor drains include:

- Outlet sizes available from 2" – 6"
- Can be configured with adjustable strainers, round funnels, sediment baskets and plain end or threaded outlets

product availability

Non-adjustable floor drain

Non-adjustable floor drain with sediment basket

Non-adjustable floor drain with sediment basket and funnel

Non-adjustable floor drain with funnel

FLOWAY™ POLYPROPYLENE DRAIN DIMENSIONS – NON-ADJUSTABLE

SPECIFICATION: Floway series F4000 polypropylene non-adjustable floor drain with 8-1/2" diameter strainer and plain end outlet. Body with 14-1/2" diameter flange, and non-puncturing style flashing collar with weep holes.

SERIES F4000 NON-ADJUSTABLE FLOOR DRAIN

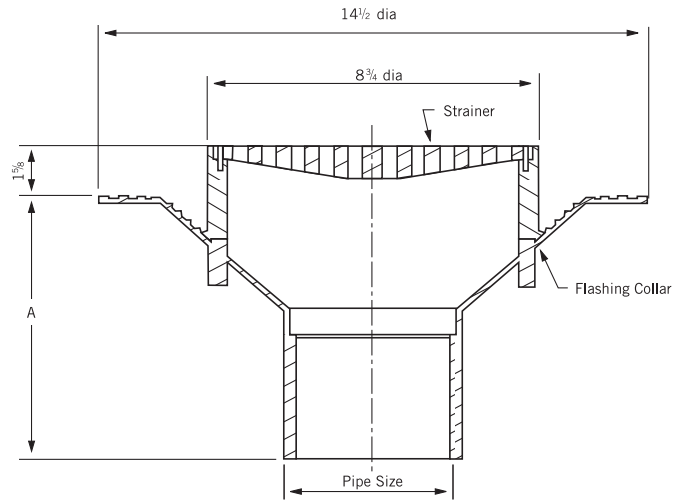
Cat. No.	Outlet Size (in)	A (in)	Wgt (lbs)
F4201	2*	10-5/8	2.8
F4301P	3	7	2.3
F4401P	4	7	2.5
F4601P	6	7	2.7

All drains are minimum 3" diameter.

* For 2" drains, use the appropriate Enfield or Labline reducer.

OPTIONS

- Gas tight plug
- Allenhead vandal-proof screws
- Male iron pipe thread outlet



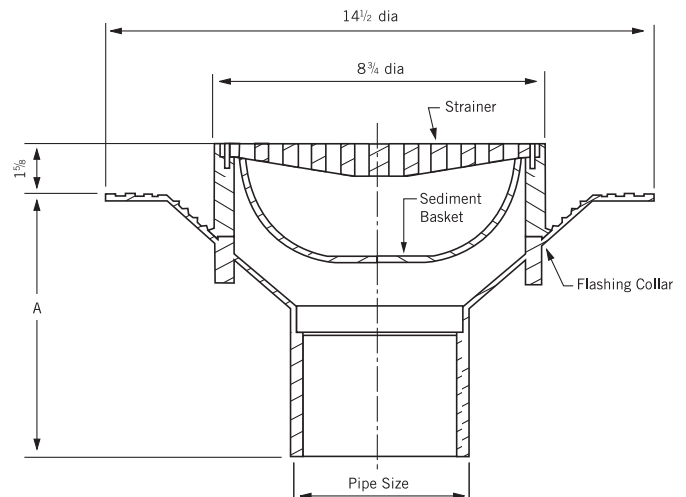
SPECIFICATION: Floway series F4000 polypropylene non-adjustable floor drain with 8-1/2" diameter strainer, sediment basket, and plain end outlet. Body with 14-1/2" diameter flange, and non-puncturing style flashing collar with weep holes.

SERIES F4000 NON-ADJUSTABLE FLOOR DRAIN WITH SEDIMENT BASKET

Cat. No.	Outlet Size (in)	A (in)	Wgt (lbs)
F4202	2*	10-5/8	2.8
F4302P	3	7	2.3
F4402P	4	7	2.5
F4602P	6	7	2.7

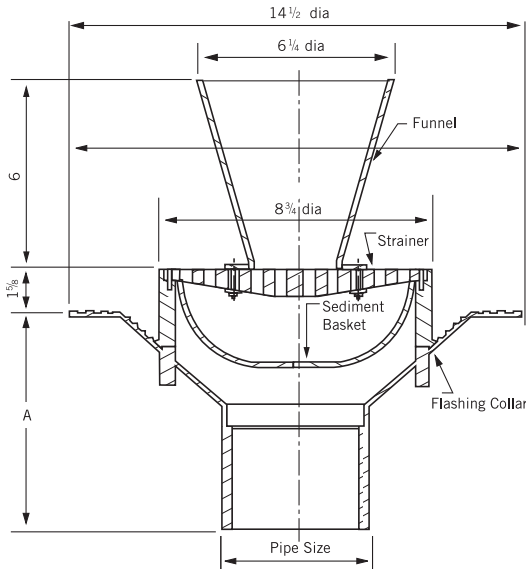
All drains are minimum 3" diameter.

* For 2" drains, use the appropriate Enfield or Labline reducer.



FLOWAY™ POLYPROPYLENE DRAIN DIMENSIONS – NON-ADJUSTABLE

SPECIFICATION: Floway series F4000 polypropylene non-adjustable floor drain with 8-1/2" diameter strainer, sediment basket, 6" diameter funnel and plain end outlet. Body with 14-1/2" diameter flange, and non-puncturing style flashing collar with weep holes.



SERIES F4000 NON-ADJUSTABLE FLOOR DRAIN WITH SEDIMENT BASKET AND FUNNEL

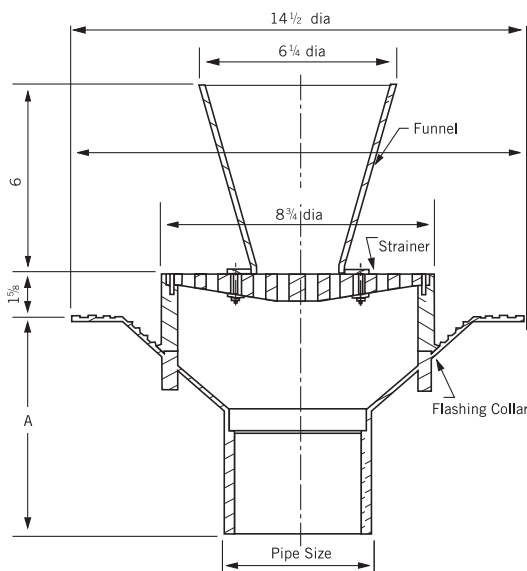
Cat. No.	Outlet Size (in)	A (in)	Wgt (lbs)
F4203	2*	10-5/8	2.8
F4303P	3	7	2.3
F4403P	4	7	2.5
F4603P	6	7	2.7

All drains are minimum 3" diameter.
* For 2" drains, use the appropriate Enfield or Labline reducer.

OPTIONS

- Gas tight plug
- Allenhead vandal-proof screws
- Male iron pipe thread outlet

SPECIFICATION: Floway series F4000 polypropylene non-adjustable floor drain with 8-1/2" diameter strainer, 6" diameter funnel and plain end outlet. Body with 14-1/2" diameter flange, and non-puncturing style flashing collar with weep holes.



SERIES F4000 NON-ADJUSTABLE FLOOR DRAIN WITH FUNNEL

Cat. No.	Outlet Size (in)	A (in)	Wgt (lbs)
F4204	2*	10-5/8	2.8
F4304P	3	7	2.3
F4404P	4	7	2.5
F4604P	6	7	2.7

All drains are minimum 3" diameter.
* For 2" drains, use the appropriate Enfield or Labline reducer.

OPTIONS

- Gas tight plug
- Allenhead vandal-proof screws
- Male iron pipe thread outlet

FLOWAY™ POLYPROPYLENE DRAIN OPERATIONAL NOTES

Test	Test Standard	Conditions	Unit	Safe Load
Static Load Test	Non-Adjustable	72°F / full face loading	lbf	11000

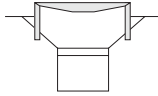
The maximum safe live load was calculated by dividing the load at failure by two.

Note:

- i. The press test simulates (under laboratory conditions) the resistance to buckling of floor drains under given loadings and surface area considerations.
- ii. It is not meant to simulate every type of wheel design loading as this will vary according to the equipment supplier.
- iii. The larger the wheel diameter, the more likely it is that the full face loading result can be used as an indication of resistance to load
- iv Polypropylene will normally recover to near its original dimensions after the load is removed.

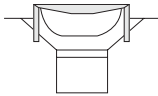
Dimension inches	Significant Number	Product Code
------------------	--------------------	--------------

F4000 Series Non-Adjustable Floor Drain



Enfield 2	F4201L	237041
Labline 2	F4201W	237079
3	F4301P	237051
4	F4401P	237061
6	F4601P	237071

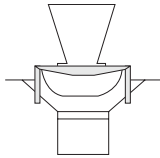
F4000 Series Non-Adjustable Floor Drain



w/ Sediment Basket

Enfield 2	F4202L	237042
Labline 2	F4202W	237080
3	F4302P	237052
4	F4402P	237062
6	F4602P	237072

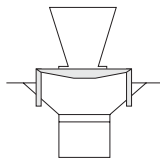
F4000 Series Non-Adjustable Floor Drain



Enfield 2	F4203L	237044
Labline 2	F4203W	237081
3	F4303P	237053
4	F4403P	237063
6	F4603P	237073

w/ Sediment Basket & 6" Round Funnel

F4000 Series Non-Adjustable Floor Drain



Enfield 2	F4204L	237043
Labline 2	F4204W	237082
3	F4304P	237054
4	F4404P	237064
6	F4604P	237074

w/ 6" Round Funnel Only

Size (inches):

- 2" Enfield 2" Labline
 3 4
 6

Sediment Basket:

- Yes
 No

6" Round Funnel:

- Yes No

Options (select all that apply):

- Gas Tight Plug
 Allenhead Vandal-proof Screws
 Male Iron Pipe Thread Size Outlet

IPEX Part Number:

	Dimension inches	Significant Number	Product Code
Gas Tight Plug			
	3	P20036	237815
	4	P20037	237816
	6	P20038	237817
Allenhead Vandalproof Screws			
	Set of 3 screws	P20035	237045
Blank Cover for F Series Drains			
	F4000 Series	P20033	237813
Round Funnel			
	6	P20017	237810
Sediment Basket Strainer for F Series Drains			
	F4000 Series	P20015	237808
Grid Strainers for F Series Drains			
	F4000 Series	P20011	237806
Male Iron Pipe Threaded Outlet			
	3	-	257091
	4	-	257092
FPT Tap for Priming Drain Assembly			
	3/8	-	237430
	1/2	-	237429

IPEX components are dimensionally matched; do not install system of mixed brands without our expressed written consent.

About the IPEX Group of Companies

As leading suppliers of thermoplastic piping systems, the IPEX Group of Companies provides our customers with some of the world's largest and most comprehensive product lines. All IPEX products are backed by more than 50 years of experience. With state-of-the-art manufacturing facilities and distribution centers across North America, we have established a reputation for product innovation, quality, end-user focus and performance.

Markets served by IPEX group products are:

- Electrical
- Telecommunications and utility
- Industrial process piping
- Municipal pressure and gravity flow
- Plumbing and DWV and water supply
- Irrigation
- Electrofusion PE for gas and water
- Industrial, plumbing and electrical cements
- PVC, CPVC, PVCO, ABS, PE, PEX, PP and PVDF pipe and fittings

Products are supplied and distributed in the United States by IPEX USA LLC.

FlowwayTM, EnfieldTM, Labline[®], PlenumlineTM, Neutratan[®] and EncaseTM are trademarks of IPEX Branding Inc.

This literature is published in good faith and is believed to be reliable. However, it does not represent and/or warrant in any manner the information and suggestions contained in this brochure. Data presented is the result of laboratory tests and field experience.

A policy of ongoing product improvement is maintained. This may result in modifications of features and/or specifications without notice.