

BACKWATER VALVES

PRODUCT INFORMATION BULLETIN

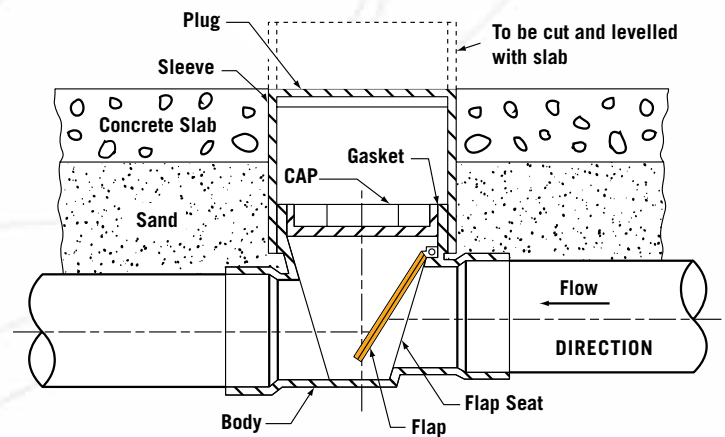
Today's Best Protection against Sewer Backups



Any building connected to a sewer is subject to a possible sewer backup. Only by installing an IPEX Backwater Valve can you be sure that your project is protected against this potential disaster. Available in both PVC and ABS lightweight, corrosion-resistant plastic, our 3", 4" and 6" valves are certified by CSA, NSF and IAPMO.

How it works

The IPEX Backwater Valve will allow flow in only one direction. Effluent flowing out of the house pushes the flapper open and drains to the sewer. During backup conditions however, the flapper remains closed, preventing backflow from occurring.



Advantages

- Available in both PVC and ABS Plastic
- Lightweight
- Corrosion resistant
- Smooth walls prevent solids from accumulating and interfering with valve operation
- Easy to install – hubs are sized to fit Schedule 40 DWV pipe
- Arrows clearly indicate the flow direction
- Access sleeves and plugs are available to facilitate installation under concrete floor slabs
- Approved by CSA, IAPMO, and NSF
- Recognized by plumbing codes



Products manufactured by IPEX Inc.

Toll Free Canada: (866) 473-9462 | ipexna.com