

duraflo[®] *Gooseneck* BATHROOM EXHAUST VENT



For high performance bathroom fans and standard rangehood fans

- Weather protection with 5" of additional height for snow clearance
- Patented design adds additional weather protection, directs and deflects precipitation away from vent openings
- Flapper can still open with low performance bath fans
- Attaches to 4", 5" or 6" duct
- Additional collar available which fits a 6", 7" or 8" duct
- Available in: black, brown, weatherwood and grey
- 20 sq. in. of net free area if used as an intake vent (remove flapper)
- US Patent 10,267,533

Molded screen prevents insect and bird nesting

Internal angled flapper

5" of additional height for snow clearance

Large flange ensures simple installation

With & without collar options available

Constructed for:

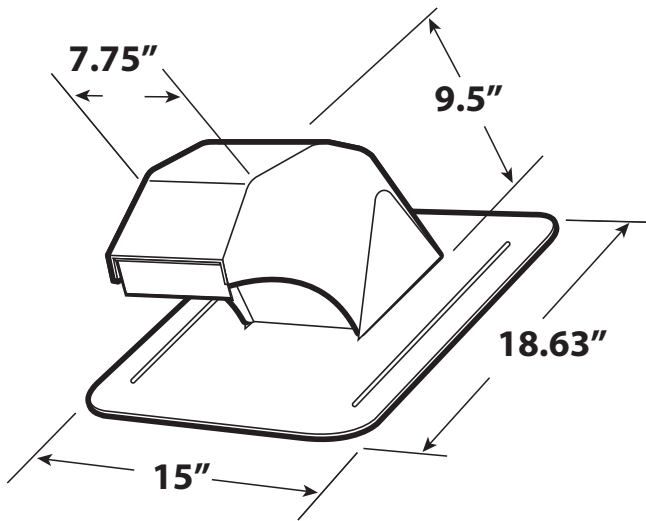


Resistant to:



Models: # 60PRO30 and # 60PRO31

duraflo® Gooseneck BATHROOM EXHAUST VENT



Description:

Large enough to handle high performance bath fans and standard rangehood fans

- Provides weather protection with 5" of additional height for snow clearance
- Patented design to add additional weather protection, directs and deflects precipitation away from vent openings
- Flapper can still open with low performance bath fans
- Attaches to 4", 5" or 6" duct
- Additional collar available which fits a 6", 7" or 8" duct
- Available in 4 colors: black, brown, weatherwood and grey
- 20 sq. in. of net free area if used as an intake vent (remove flapper)

Standards:

- CSA Approved 

Durability:

Engineered to resist denting, peeling, extreme heat and cold, impact resistant to -40°

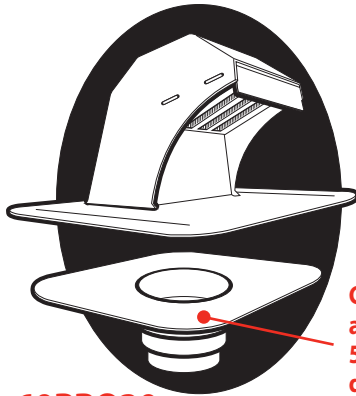
Colors:

Black, Brown, Grey, Weatherwood

Weather Protection :



The Duraflo® Gooseneck bathroom exhaust vent utilizes WeatherPRO® internal baffle technology to deflect water and snow, allowing for harmless draining out the drainage openings. Designed to allow high airflow while providing excellent defense against weather infiltration.

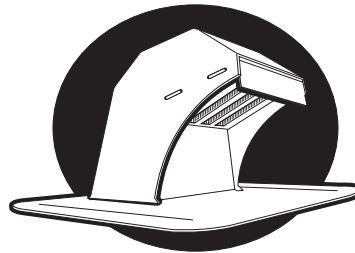


Collar accepts 4", 5" and 6" duct pipe

60PRO30 GOOSENECK BATHROOM EXHAUST VENT - WITH COLLAR

Can be used with standard rangehood fans

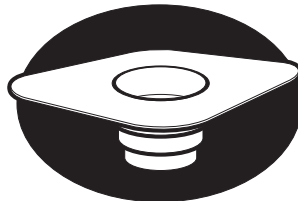
DESCRIPTION	PART #	CTN. QTY.	SKID
Black	60PRO30BL	1	24
Brown	60PRO30BR	1	24
Grey	60PRO30G	1	24
Weatherwood	60PRO30WW	1	24



60PRO31 GOOSENECK BATHROOM EXHAUST VENT - WITHOUT COLLAR

Can be used with standard rangehood fans

DESCRIPTION	PART #	CTN. QTY.	SKID
Black	60PRO31BL	1	24
Brown	60PRO31BR	1	24
Grey	60PRO31G	1	24
Weatherwood	60PRO31WW	1	24



GOOSENECK VENT ADAPTER COLLAR 4",5",6"

DESCRIPTION	PART #	CTN. QTY.	SKID
Black	6030-4BC	8	144



RANGEHOOD EXHAUST VENT ADAPTER COLLAR 6",7",8"

DESCRIPTION	PART #	CTN. QTY.	SKID
Black	6021-4BC	8	144

duraflo®
WE KNOW VENTILATION


IPEX
by aliaxis

Eastern U.S. Customers

Tel: (289) 881-0120
Toll Free: 1-800-463-9572
Fax: (905) 844-0826

www.ipexna.com | sales@ipexamerica.com

Western U.S. Customers

Tel: (303) 373-1918
Toll Free: 1-888-461-5307
Fax: (303) 373-1923