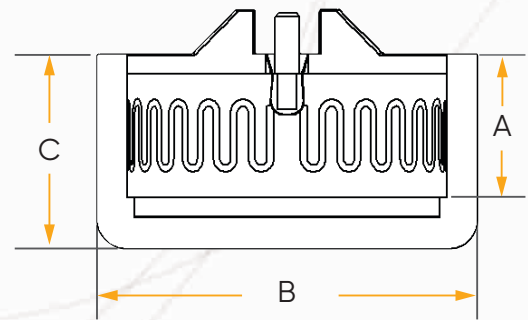


# Enfield™ Electrofusion Acid Waste Systems

## PRODUCT INFORMATION BULLETIN

### NEW 1-1/2" Enfield™ Cap

IPEX is pleased to announce the release of a new 1-1/2" Enfield™ Cap. This molded cap will replace the previously fabricated version. The molded design provides a cleaner more compact solution for capping 1-1/2" Enfield pipe and includes clamp guides on the socket for easier installation.



Fabricated Cap Socket

Size (in.)	Product Code	Significant Number	Dimension (in.)		
			A	B	C
1-1/2	257023	L639	29/32	2-3/8	1-7/32

**NEW**

2" through 6" fabricated caps are available via the price list

For more than 30 years, IPEX has been supplying industrial, commercial, school and hospital laboratories throughout North America with high-quality, easy-to-install acid waste systems designed to handle a wide variety of chemicals and pH levels.

IPEX offers a complete range of pipe and fittings in a variety of materials to suit any acid waste application.



IPEX Inc.  
Toll Free: (866) 473-9462  
ipexna.com