

IPEX S12/22 TRUE UNION SOLENOID VALVES

NEW PRODUCT SHOWCASE



The IPEX S12/22 Series True Union Solenoid Valves represent the latest innovation in valve manufacturing technology. The S12/22 Series replaces the well-received SF Series with a number of new features and is designed for industrial, OEM and water service applications. The S12/22 is direct acting, 2 way-2 position flow control valve, ideal for precise control and high-cycle service. The new high-performance electric solenoid actuator has been redesigned to exceed 5 million cycles without having to perform maintenance and a 100% duty cycle means no issues with overheating or "burnout". With their lever type shutter design, standard manual override, and LED position indicator, these valves will outlast and outperform more conventional diaphragm-style solenoid valves.

S12/22 Solenoid Valves are part of our complete system of IPEX pipe, valves and fittings, engineered and manufactured to our strict quality, performance and dimensional standards.

VALVE AVAILABILITY

	S12/22
Body Material	PVC
Size Range	1/4" through 1/2"
Pressure	up to 90 psi
Seals	EPDM or Fluoropolymer (FPM)
End Connections	Socket (IPS), Threaded (FNPT)

APPLICATIONS

Precise Flow Regulation	✓
Precise Chemical Dosing	✓
Water and wastewater treatment	✓
Pulp and paper	✓
Pharmaceutical	✓
Chlorine injection, chlorine dioxide and chloralkali plant piping	✓
Plant chemical distribution lines	✓
Metal plating and finishing	✓
Swimming Pools	✓

And many more!

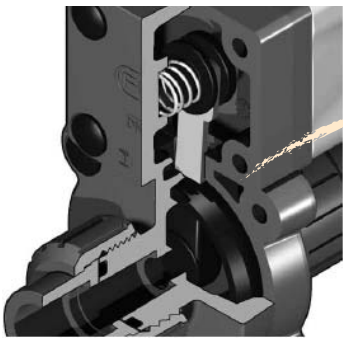


IPEX USA LLC

Toll Free: (800) 463-9572
ipexna.com

MANUAL OVERRIDE

A standard manual override integrated into the S12/22 solenoid valve means it can be operated in the event of a loss of power.



LEVER TYPE SHUTTER

The lever type shutter allows the valve to precisely control flow. It is available in both EPDM and FPM to provide chemical resistance in a wide variety of applications.



CORROSION RESISTANCE

All metallic parts of the S12/22 solenoid valve, including the stainless steel lever, are isolated from fluids and the external environment. All screws are protected by polyethylene caps.





LED INDICATOR

An LED indicator is supplied as standard to the valve's electrical connector, providing visual indication that power is supplied to the valve.



MAINTENANCE FRIENDLY DESIGN

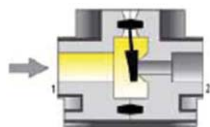
The S12/22 solenoid valve has a redesigned high-performance electric solenoid actuator that is designed to exceed 5 million cycles without having to perform maintenance.



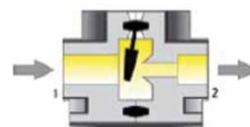
100% DUTY CYCLE

The S12/22 solenoid valve has a 100% duty cycle, which means the solenoid can be energized at all times without the risk of the valve overheating.

Control Functions



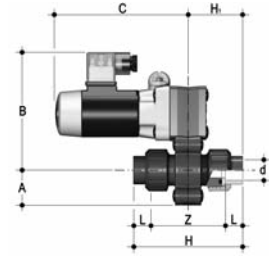
De-Energized Solenoid



Energized Solenoid

Dimensions & Weights

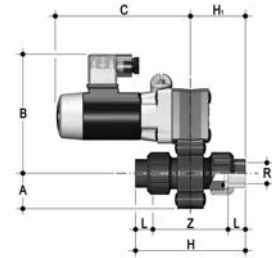
IPS Socket Connections



Dimension (inches)

Type	Size	d	ND	A	B	C	E	H	H1	L	M	Z	Weight (lbs)
S12	1/4	0.54	0.16	0.94	3.94	4.06	1.65	3.62	1.81	0.63	2.05	2.36	0.88
S12	1/4	0.54	0.24	0.94	3.94	4.06	1.65	3.62	1.81	0.63	2.05	2.36	0.88
S12	1/4	0.54	0.31	0.94	3.94	4.06	1.65	3.62	1.81	0.63	2.05	2.36	0.88
S22	1/2	0.84	0.31	1.34	4.53	5.12	2.13	4.57	2.28	0.87	2.64	2.80	2.20
S22	1/2	0.84	0.39	1.34	4.53	5.12	2.13	4.57	2.28	0.87	2.64	2.80	2.20
S22	1/2	0.84	0.59	1.34	4.53	5.12	2.13	4.57	2.28	0.87	2.64	2.80	2.20

Female NPT threaded connections



Dimension (inches)

Type	Size	R	ND	A	B	C	E	H	H1	L	M	Z	Weight (lbs)
S12	1/4	1/4-NPT	0.16	0.94	3.94	4.06	1.65	3.58	1.77	0.59	2.05	2.40	0.88
S12	1/4	1/4-NPT	0.24	0.94	3.94	4.06	1.65	3.58	1.77	0.59	2.05	2.40	0.88
S12	1/4	1/4-NPT	0.31	0.94	3.94	4.06	1.65	3.58	1.77	0.59	2.05	2.40	0.88
S22	1/2	1/2-NPT	0.31	1.34	4.53	5.12	2.13	4.41	2.20	0.81	2.64	2.80	2.20
S22	1/2	1/2-NPT	0.39	1.34	4.53	5.12	2.13	4.41	2.20	0.81	2.64	2.80	2.20
S22	1/2	1/2-NPT	0.59	1.34	4.53	5.12	2.13	4.41	2.20	0.81	2.64	2.80	2.20

Electrical Data

Duty Cycle	100% ED
Closing Time	~ 20 ms
Opening Time	~ 20 ms
AC Voltage	110 V
Frequency	50/60 Hz
Voltage Allowances	± 10%
Power Consumption, S12	10W
Power Consumption, S22	20W
Protection Class	IP65
Electrical Connection	DIN 43650 connector with LED (1)

