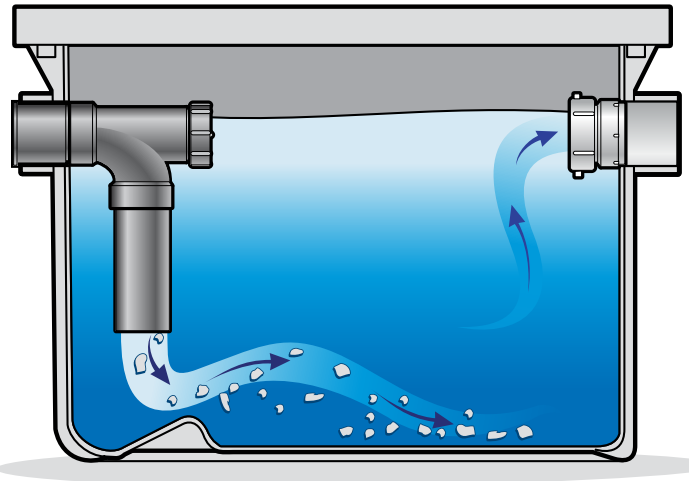


Endura® Plaster Trap



INSTALLATION & OPERATION INSTRUCTIONS

Thank you for purchasing the Endura® Plaster Trap. This unit is intended for a wide range of applications where by gravity, material is required to be separated from the waste water flow. This includes materials such as plaster, clay, sand, sediment, grit and general debris.

This unit is designed for use with inlet waste connections up to 1½" diameter the inlet connection being made with a flexible no-hub coupling (not supplied). Based on the outside diameter of the inlet/outlet these fittings will need to be either 2" x 1 ½" or 2" x 1 ¼" reducing style couplings and are available from most plumbing wholesalers or DIY outlets.

DO NOT decrease the pipe diameter across the unit – i.e. inlet vs. outlet. **Please Note : The Endura® Plaster Trap is made of polypropylene which will not accept solvent weld cement.**

Based on the use of 1½" pipe the maximum flow rate that can enter and pass through this unit is 20GPM. Unlike a grease interceptor no flow control device is necessary in this application.

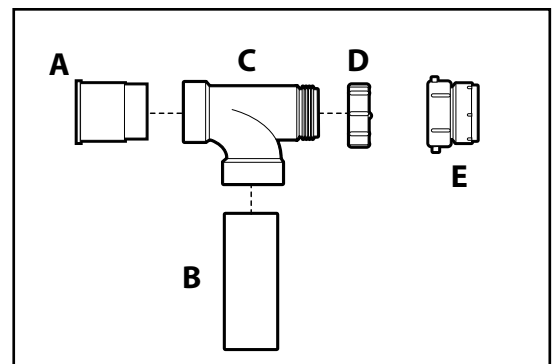
ASSEMBLY

In reading these instructions you have already opened the tank and found inside a carton containing the following components.

- A) 1 x inlet adaptor
- B) 1 x 4 ¾" length of pipe
- C) 1 x Access Tee
- D) 1 x Access Tee Cap
- E) 1 x Outlet adaptor

For assembly you will require:

- Solvent Cement suitable for ABS material
- Wood block or suitable alternative
- Hammer



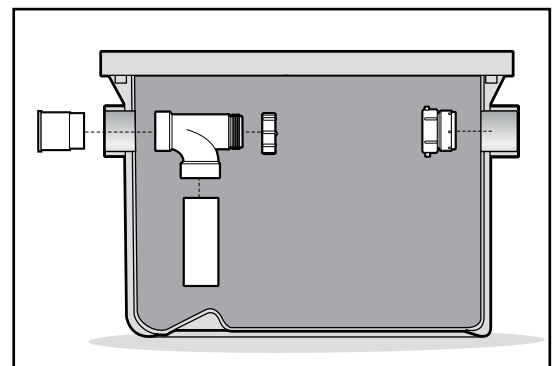
INSTALLATION

Working from the outside of the tank with the cover removed, take the inlet adaptor (A) and insert the chamfered end (smaller diameter) into the inlet opening. With the block of wood (or suitable alternative) to protect the adaptor flange, using the hammer tap the adaptor into the inlet until the flange stops against the face of the tank spigot.

With the access cap of the tee facing the tank outlet and the lower connection of the tee pointing toward the bottom of the tank, solvent weld the tee (C) onto the spigot of the adaptor that now extends inside the tank inlet using a proprietary ABS cement.

Now solvent weld the length of pipe (B) supplied into the lower connection of the tee.

Finally take the outlet adaptor (E) and push into the opening of the outlet.
Note: This is an interference fit only - no cement required.



SERVICING AND MAINTENANCE

Your Endura® Plaster Trap will require periodic servicing to remove accumulated material and maximize its ongoing effectiveness. This process can be achieved manually by bailing out excess water, collecting accumulated debris to a suitable container by hand for disposal/re-use, or using a suitable wet vacuum extraction unit. Alternatively a contractor can be usually found locally who can use an industrial vacuum method to remove and dispose of the entire contents on a regular basis.

Ensure that you check the outlet screen during this process and clean the filter mesh accordingly. It will be necessary to check the operation of the Plaster Trap on a weekly basis for the first 6-8 weeks following commissioning. This will allow you to assess the on going schedule of maintenance.



Technical Support
tech-support@endurainterceptor.com

Canada
Tel: (705) 726-3361
1-800-461-1771
Fax: (705) 726-2186

U.S.A.
Tel: (303) 373-1918
1-888-461-5307
Fax: (303) 373-1923