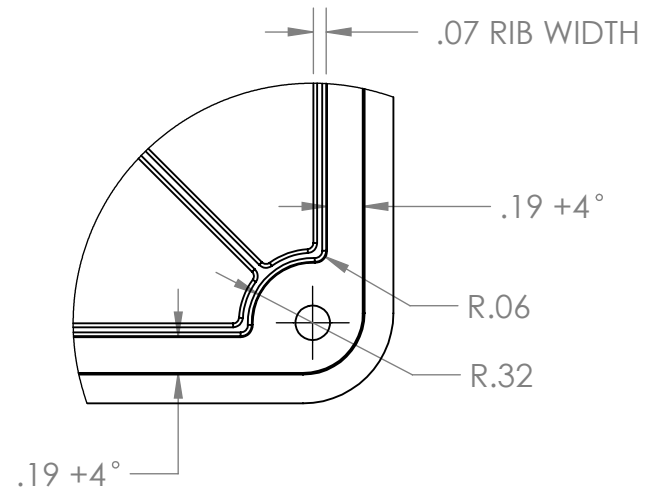
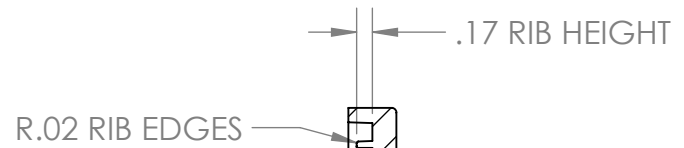
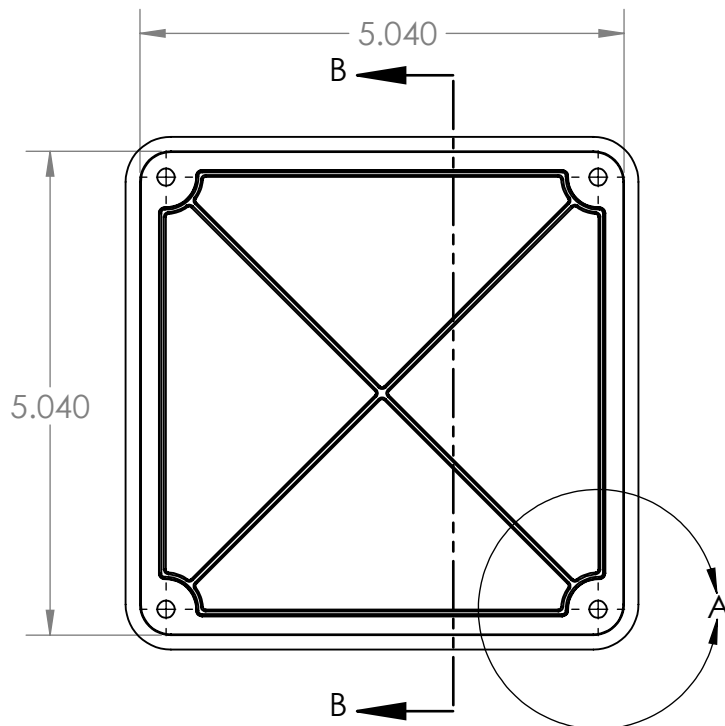
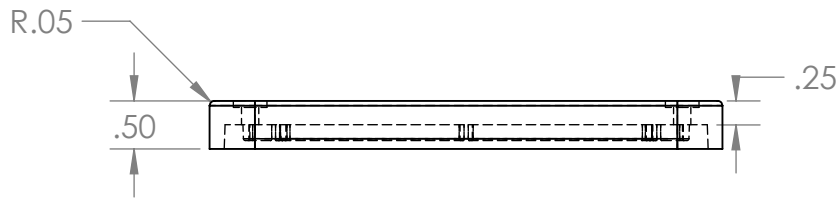


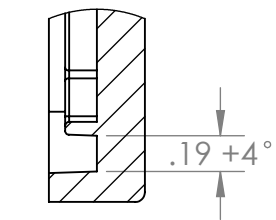
4X ϕ .18 THRU ALL
 \square ϕ .350 ∇ .070



DETAIL A
 SCALE 1 : 1



SECTION B-B



DETAIL C
 SCALE 1 : 1

NEMA 1, 2, 3, 4, 4x, 6p,
 12,13

Scepter JB
 5x5x2 Cover