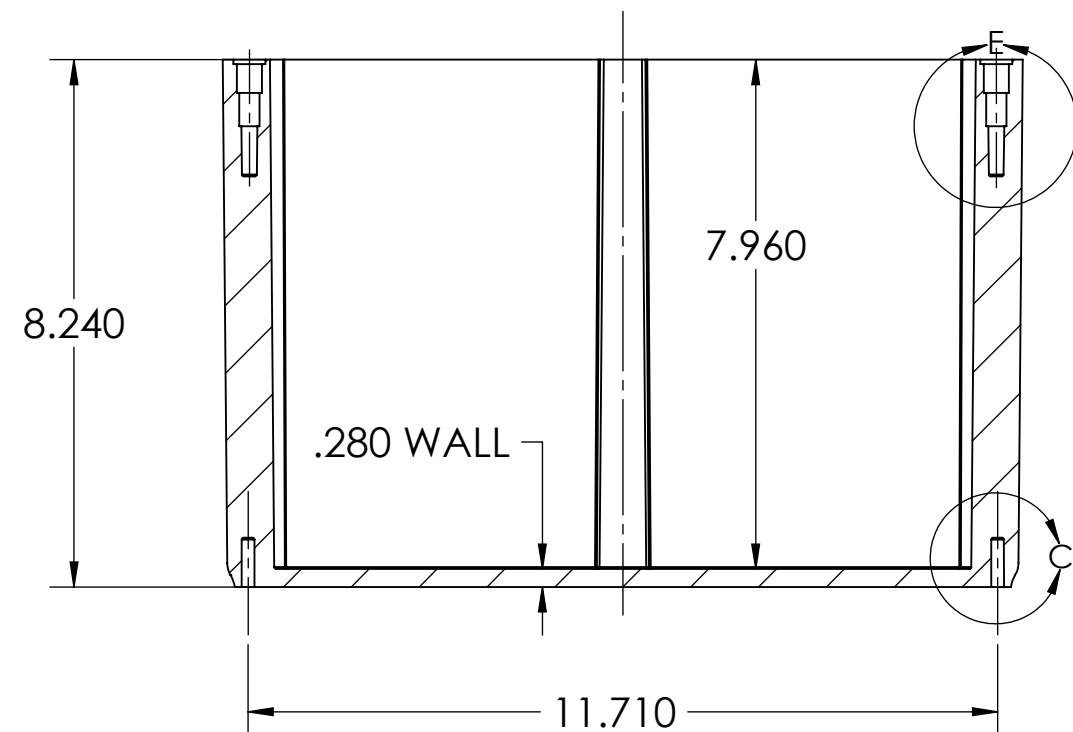
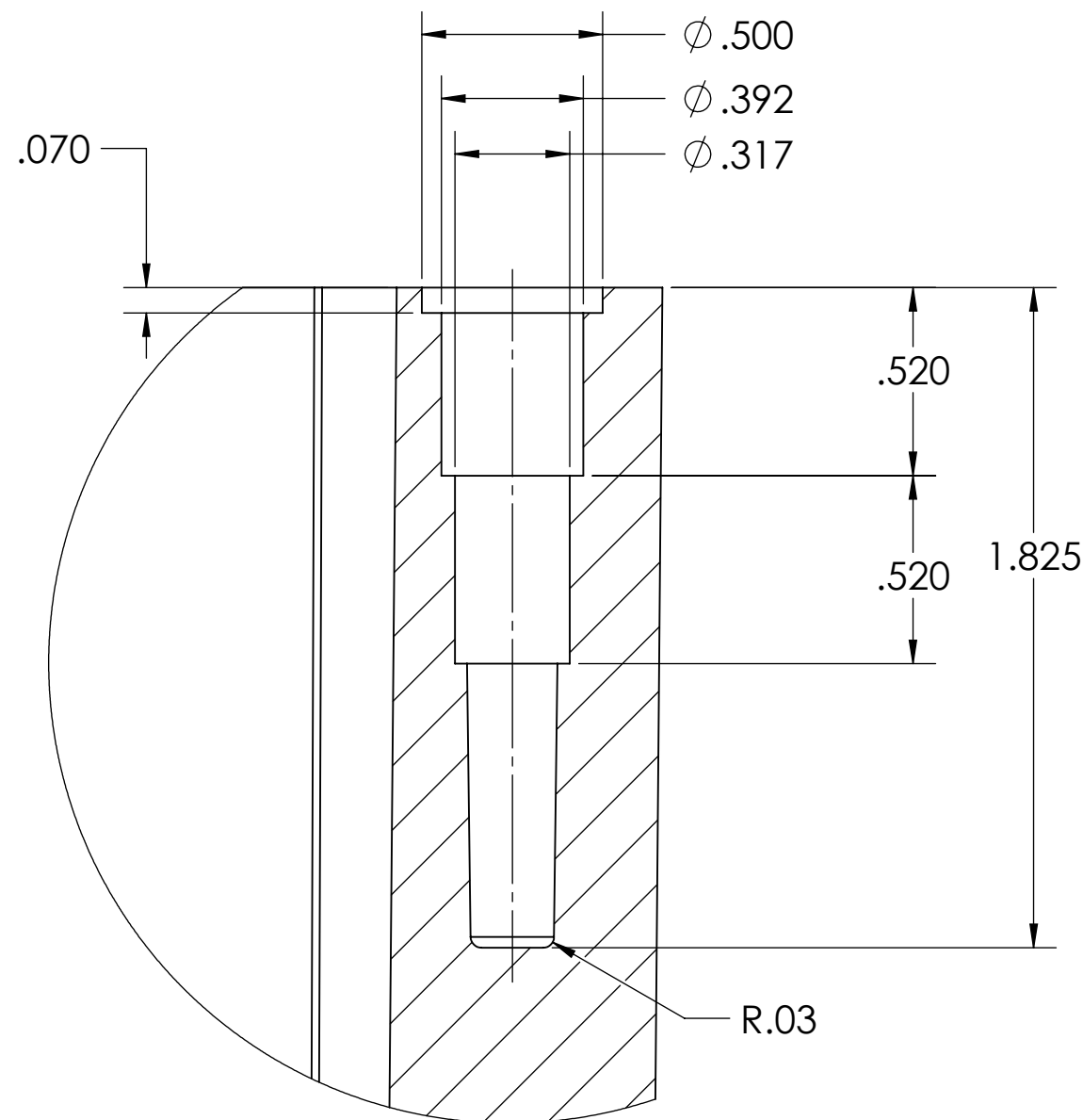


4 HOLES FOR 1/4-20 INSERT

DETAIL C

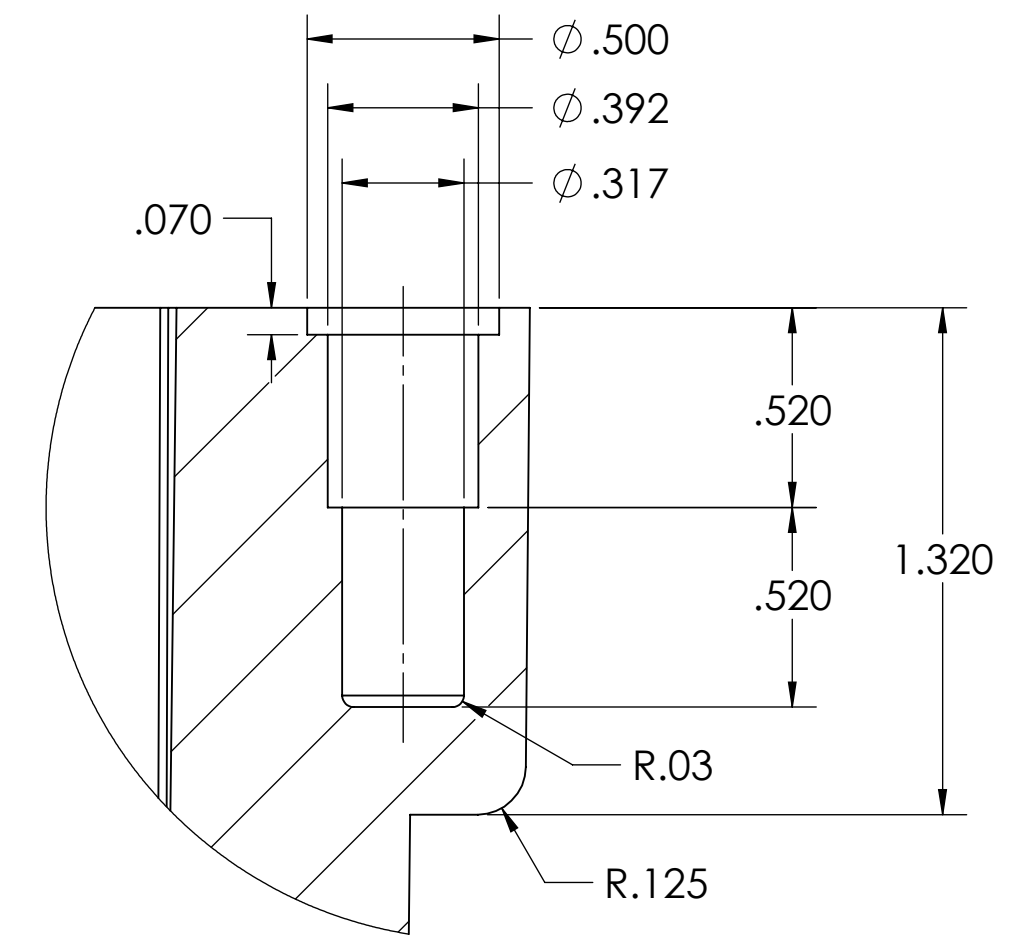


SECTION A-A



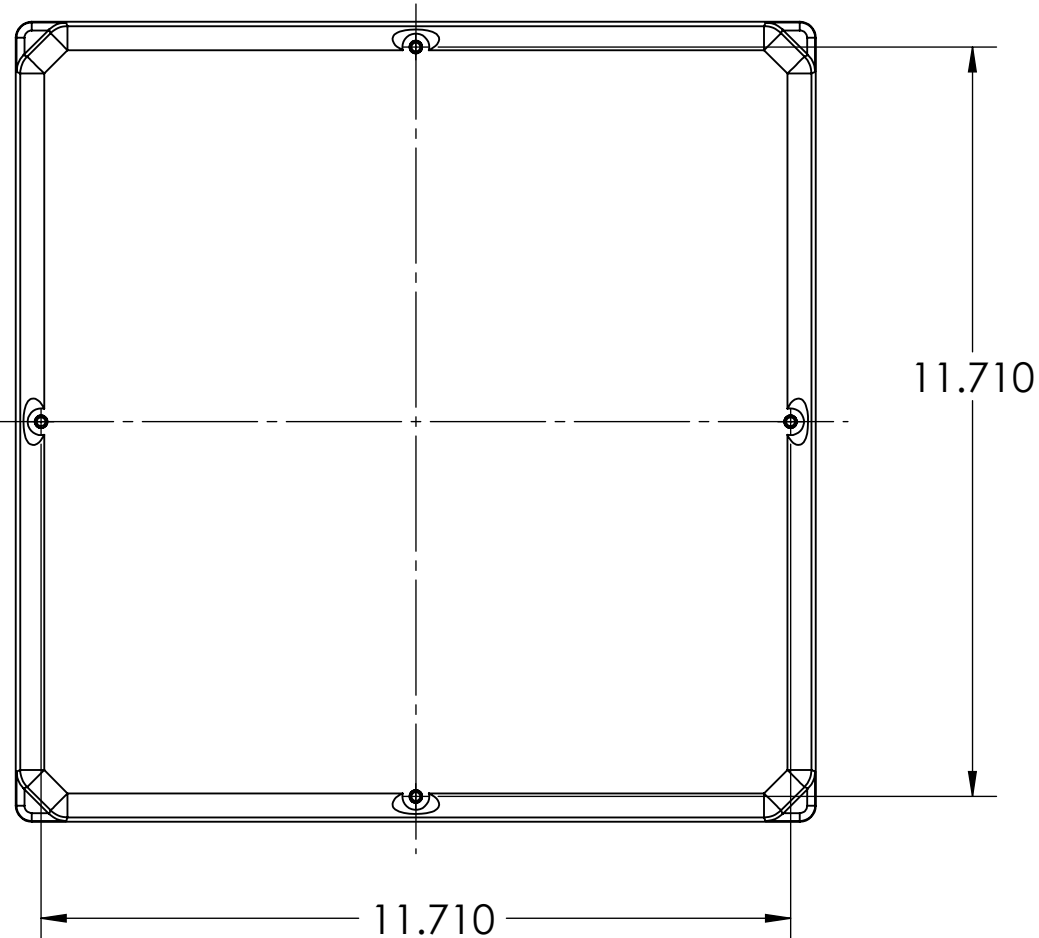
4 HOLES FOR 1/4-20 INSERT

DETAIL E



4 HOLES FOR 1/4-20 INSERT

SECTION D-D



UNLESS OTHERWISE SPECIFIED:				11 Bermondsey Rd. Toronto, Ontario M4B 1E3, Canada Tel (416) 751-3820 Fax (416) 751-7112 www.ipapinc.com	
DIMENSIONS ARE IN INCHES				NEMA 1, 2, 3, 4, 4X, 6P 12 & 13	
TOLERANCES:		DRAWN ALEX A. 15/04/2014		TITLE:	
FRACTIONAL: 0.03		CHECKED		12" X 12" X 8" PVC JB Scepter	
ANGULAR: ±1/2°		ENG APPR.		SIZE MOLD PART NO.	
.XX ±0.01				C P118-C 097719	
.XXX ±0.005				SCALE NTS PROJECT SHEET 1 OF 1	
MATERIAL					
PVC					
SHRINKAGE					
0.5%					
WEIGHT					
3410 g					