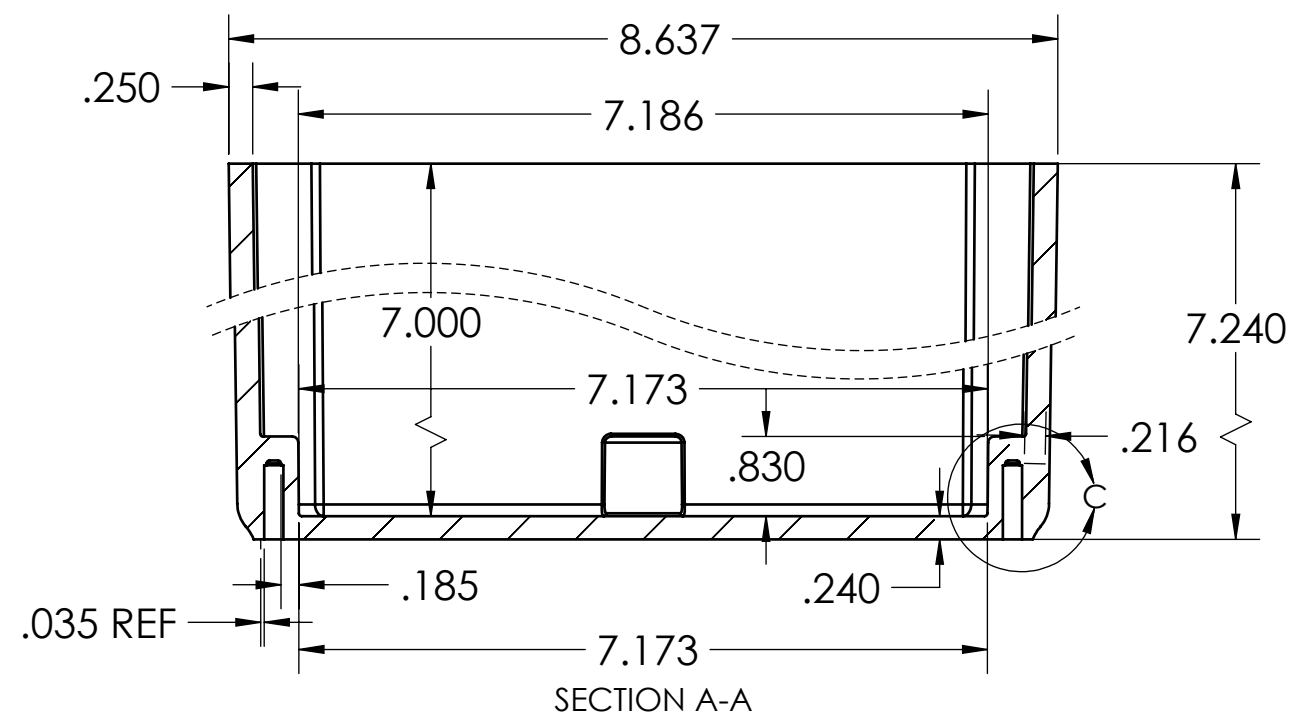
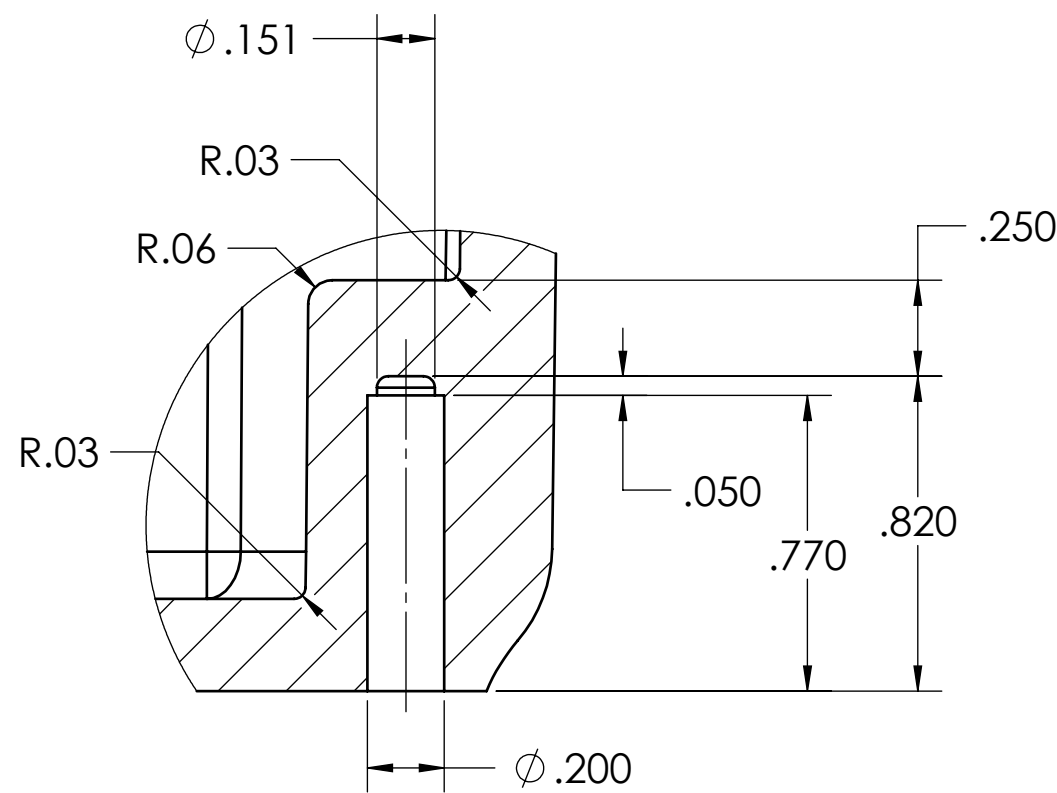


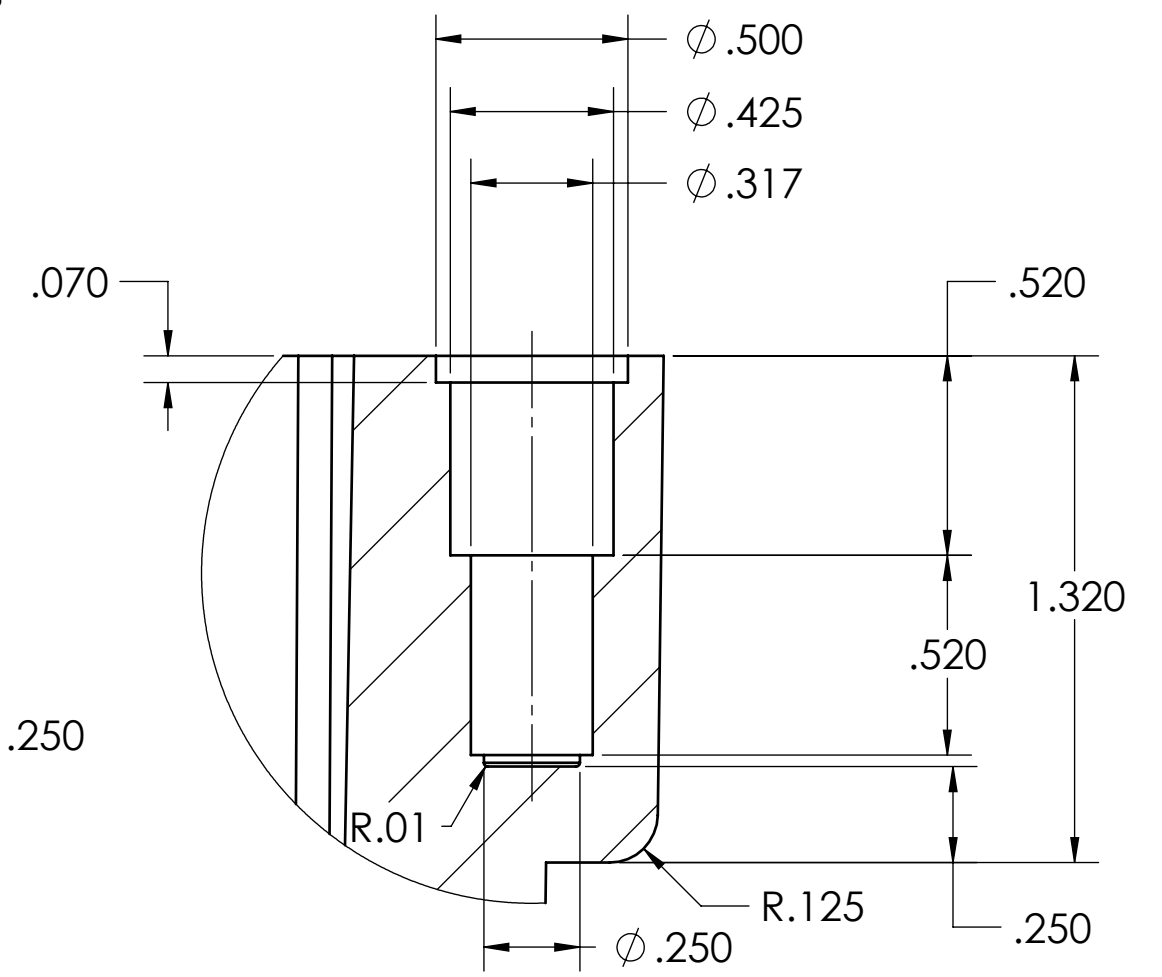
SECTION B-B



SECTION A-A

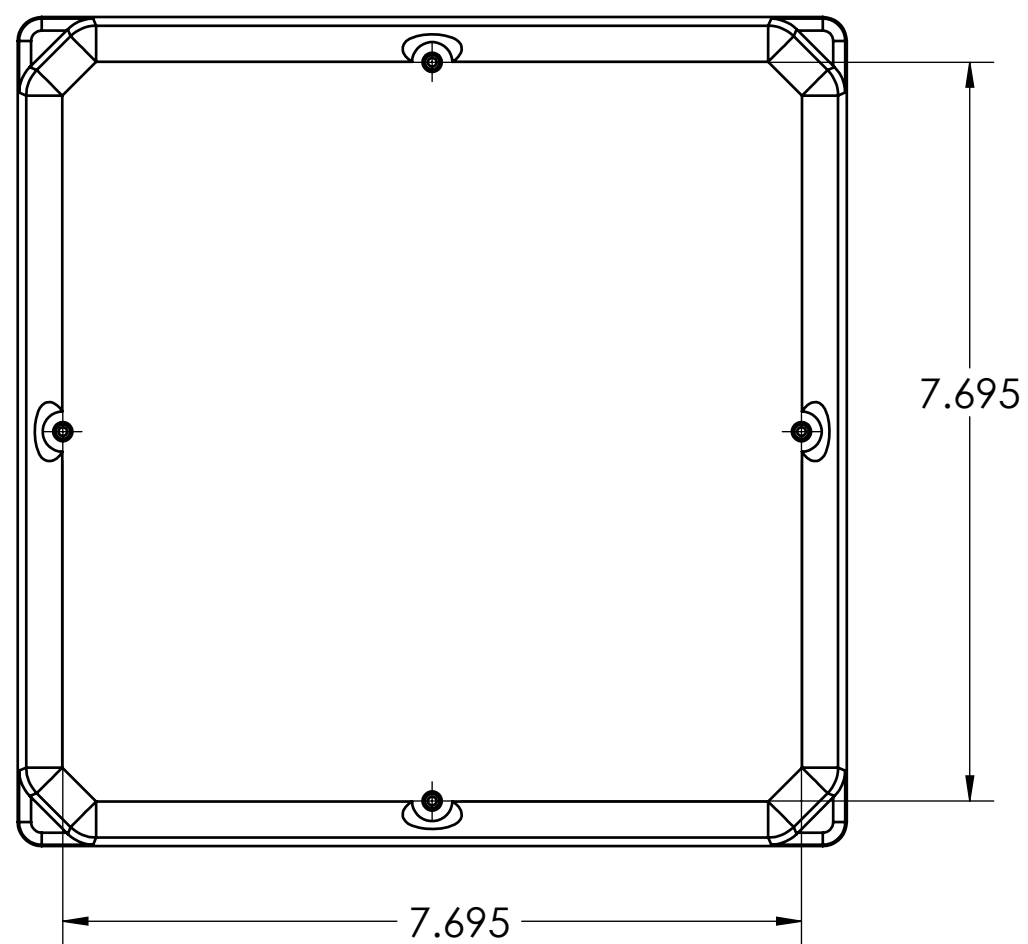


4 HOLES FOR 1/4-15 HI-LO SCREWS  
DETAIL C



4 HOLES FOR 1/4-20 INSERT

SECTION D-D



UNLESS OTHERWISE SPECIFIED:		NEMA 1, 2, 4, 4X, 5, 6, 6P		11 Bermondsey Rd. Toronto, Ontario M4B 1E3, Canada Tel (416) 751-3820 Fax (416) 751-7112 www.ipexinc.com	
DIMENSIONS ARE IN INCHES		DRAWN	A.ALEKSEEV	15/04/2014	TITLE:
TOLERANCES:		PVC		8" X 8" X 7" PVC JB Scepter	
FRACTIONAL: 0.03		CHECKED			SIZE
ANGULAR: $\pm 1/2^\circ$		ENG APPR.			MOLD
.XX $\pm 0.01$				PART NO.	
.XXX $\pm 0.005$				C P106-B 097716	
SHRINKAGE		PROPRIETARY AND CONFIDENTIAL		SCALE	
0.5%		THE INFORMATION CONTAINED IN THIS DRAWING IS THE SOLE PROPERTY OF IPEX. ANY REPRODUCTION IN PART OR AS A WHOLE WITHOUT THE WRITTEN PERMISSION OF IPEX IS PROHIBITED.		NTS PROJECT	
WEIGHT		1686 g		SHEET 1 OF 1	