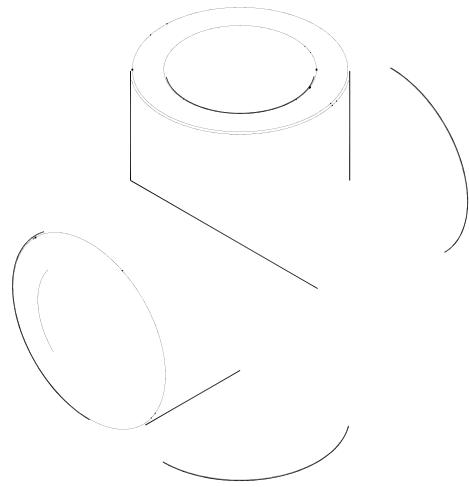
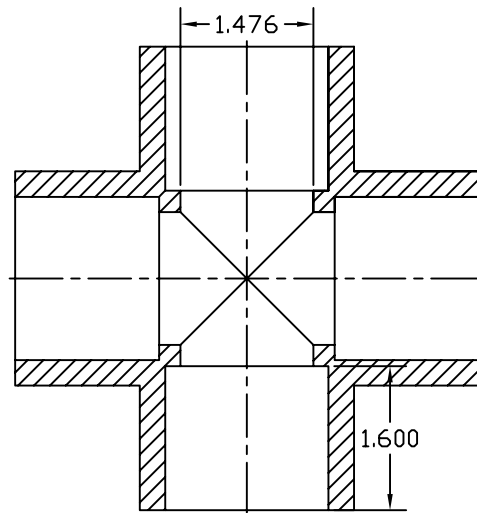
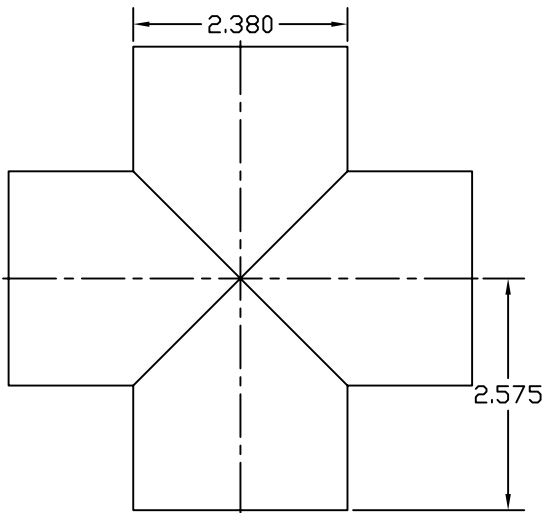
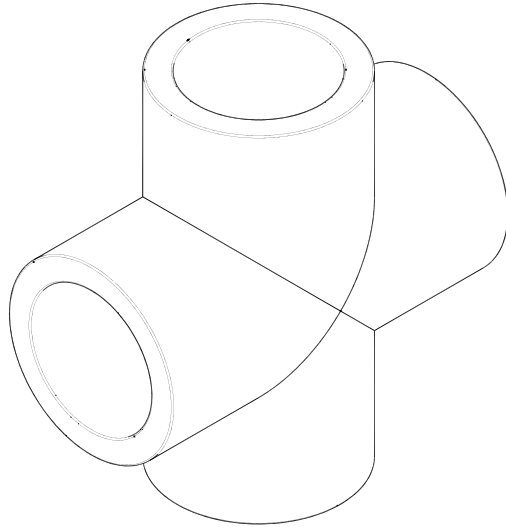

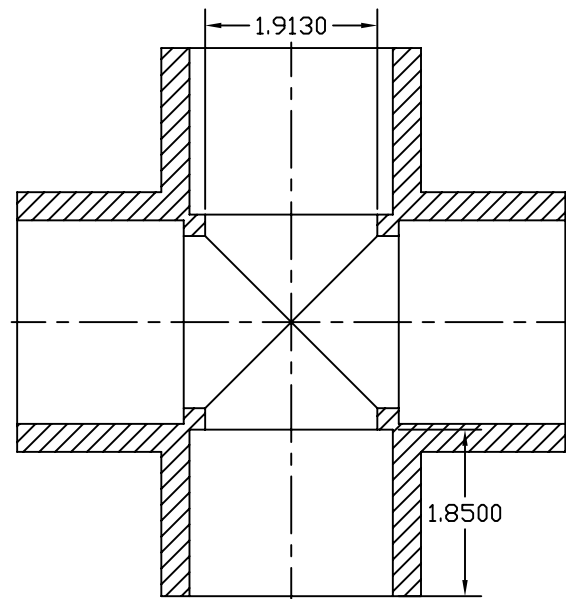
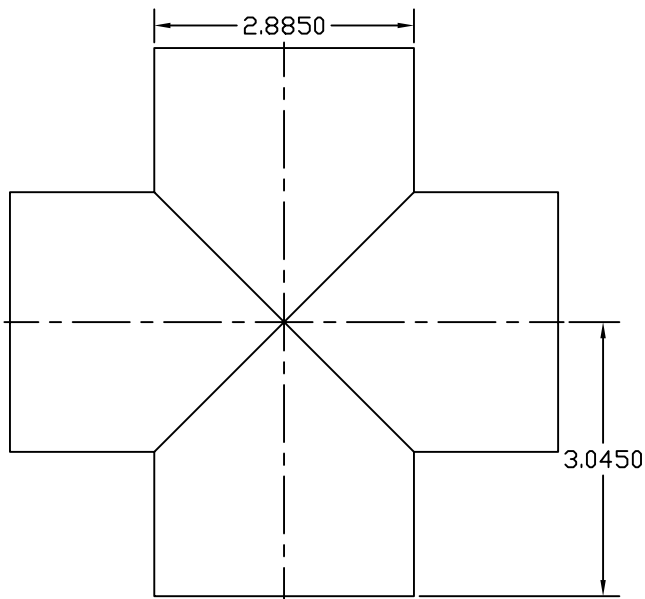
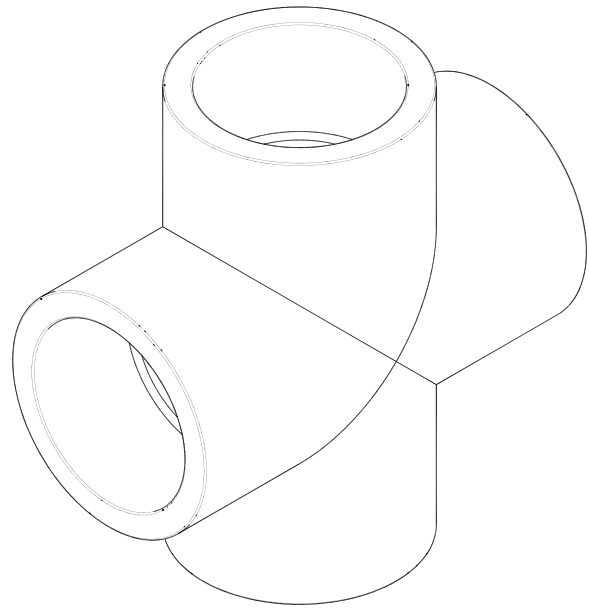
	NAME BlazeMaster™ 0.75" CROSS	
	PART # 049414	SCALE PDF NTS
CANADA TEL: (800) 373-8168 FAX: (800) 373-0590	UNIVERSAL #	MATERIAL CPVC
U.S. TEL: (800) 485-9572 FAX: (800) 423-1286	E-MAIL marketing@ipexinc.com	DATE 02APR2007
THE INFORMATION CONTAINED WITHIN THIS DRAWING IS PROPRIETARY AND THE PROPERTY OF IPEX INC. ANY UNAUTHORIZED USE, MANUFACTURE OR REPRODUCTION IN WHOLE OR IN PART IS STRICTLY PROHIBITED.		

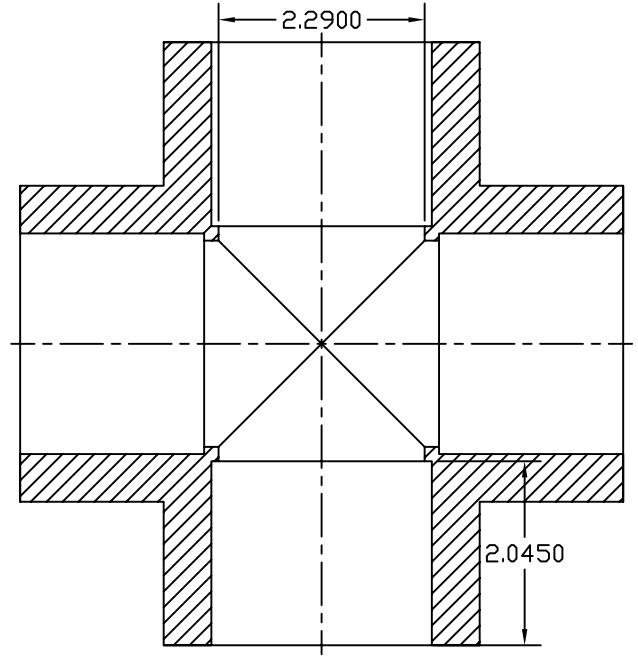
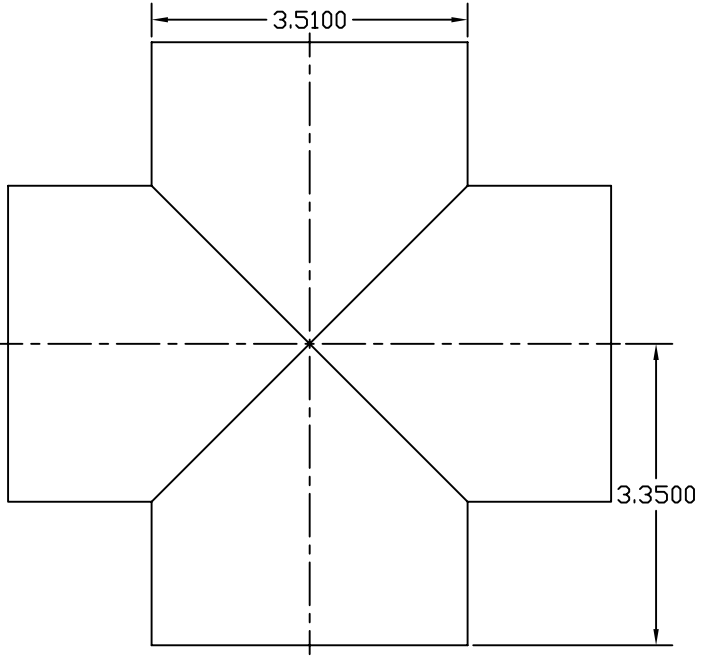
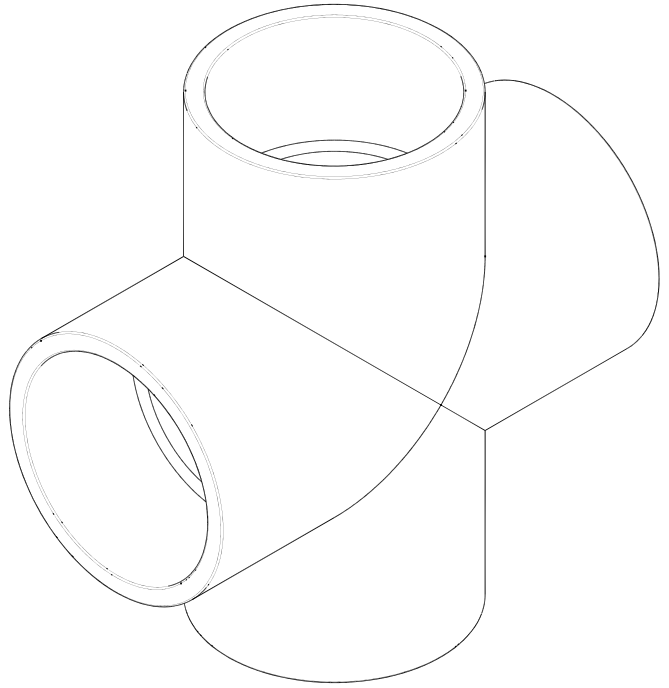





	NAME BlazeMaster™ 1.5" CROSS	
	PART # 048417	SCALE PDF NTS
CANADA TEL: (800) 475-8482 FAX: (905) 870-2880	UNIVERSAL #	MATERIAL CPVC
U.S. TEL: (800) 483-8872 FAX: (905) 428-1284	E-FILE marketing@ipexinc.com	DATE 02APR2007
www.ipexinc.com		
<small>THE INFORMATION CONTAINED WITHIN THIS DRAWING IS PROPRIETARY AND THE PROPERTY OF IPEX INC. ANY UNAUTHORIZED USE, MANUFACTURE OR REPRODUCTION IN WHOLE OR IN PART IS STRICTLY PROHIBITED.</small>		



	NAME		BlazeMaster™
	PART #		048418
UNIVERSAL #	E-FILE		SCALE PDF NTS
DATE	MATERIAL		CPVC
DATE	MARKETING@ipexinc.com		02APR2007
DATE	WWW.IPEXINC.COM		
<small>THE INFORMATION CONTAINED WITHIN THIS DRAWING IS PROPRIETARY AND THE PROPERTY OF IPEX INC. ANY UNAUTHORIZED USE, MANUFACTURE OR REPRODUCTION IN WHOLE OR IN PART IS STRICTLY PROHIBITED.</small>			



	NAME BlazeMaster™ 2.5" CROSS	
	PART # 048419	SCALE PDF NTS
UNIVERSAL #	MATERIAL CPVC	
DATE 02APR2007	DATE	
marketing@ipexinc.com	www.ipexinc.com	
<small>THE INFORMATION CONTAINED WITHIN THIS DRAWING IS PROPRIETARY AND THE PROPERTY OF IPEX INC. ANY UNAUTHORIZED USE, MANUFACTURE OR REPRODUCTION IN WHOLE OR IN PART IS STRICTLY PROHIBITED.</small>		

CANADA TEL: (800) 475-8482
 FAX: (905) 870-2880
 U.S. TEL: (800) 483-8872
 FAX: (905) 425-1284