

# INDUSTRIAL PVC CLAMPS AND SPACERS

NEW PRODUCT SHOWCASE

## New Support for your PVC Piping System

IPEX introduces new PVC pipe clamps. The new clamps and spacers provide installation flexibility, strength and lasting reliability.

- No need for tools, nuts or bolts for strut mounting
- No reliability issues when used in corrosive environments

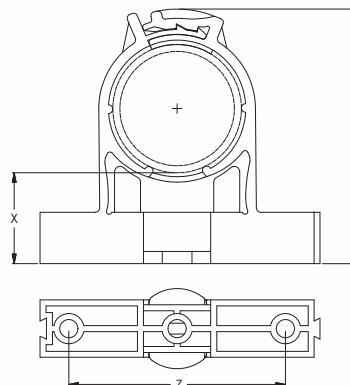
The IPEX PVC Industrial Clamps and Spacers are engineered to accommodate proper expansion and contraction of pipe and to prevent unwanted clamp opening. Other features incorporated into the design include multiple mounting options (see back) and the ability to be linked together – regardless of the size of the adjacent clamp.

### Dimensions (inches)

Size	Part Number	Product Code	X	Y	Z	Load Rating
1/2	CCS10	035180	1.191	2.414	1.824	50 lbf
3/4	CCS15	035181	1.195	2.660	2.106	50 lbf
1	CCS20	035182	1.215	2.962	2.443	50 lbf
1-1/4	CCS25	035183	1.182	3.300	2.855	55 lbf
1-1/2	CCS30	035184	1.193	3.600	3.170	60 lbf
2	CCS35	035185	1.195	4.135	3.785	65 lbf
Base	CCS-B	035186	-	-	-	-

Load Ratings per UL 2239 & CSA C22.2 No. 18.4 testing requirements.

For minimum support spacing of Industrial vinyl pipe, please see Volume I: Vinyl Process Piping Systems Technical Manual.



Most importantly, the clamp supports the pipe away from the mounting surface and made of PVC, the straps are ideal for use in wash-down areas and in corrosive and/or wet location environments.

With mounting options and a simple push-in pipe installation technique, the IPEX PVC clamps save you time and are cost effective without sacrificing quality.

### Features:

- Optional mounting methods
  - Single center hole
  - Two hole
  - Strut mounting (with accessory parts)
- Interconnecting in all sizes for uniform row installation
- Friction reduction ribs to permit pipe expansion/contraction
- Double offset clip design prevents unwanted opening of clamp



**IPEX**

Products are manufactured by IPEX Inc. and distributed in the United States by IPEX USA LLC.

Canadian Customers call IPEX Inc.

Toll Free: (866) 473-9462

www.ipexinc.com

US Customers call IPEX USA LLC

Toll Free: (800) 463-9572

www.ipexamerica.com

**FEATURES**

Single center hole



Two hole



Strut mounting w/ accessory parts



Interconnecting in all sizes for uniform row installation



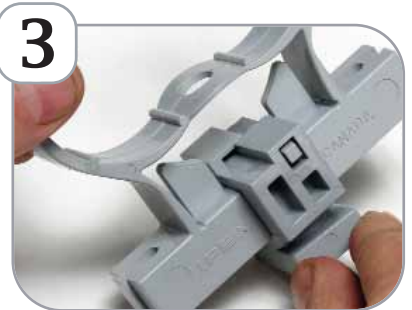
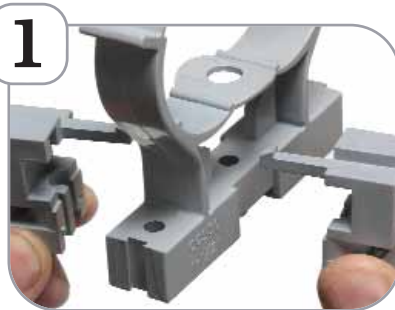
Friction reduction ribs to permit pipe expansion/contraction



Double offset clip design prevents unwanted opening of clamp



**STRUT BASE ASSEMBLY**



**STRUT MOUNT INSTALLATION**



Canadian Customers call IPEX Inc.  
Toll Free: (866) 473-9462  
www.ipexinc.com

US Customers call IPEX USA LLC  
Toll Free: (800) 463-9572  
www.ipexamerica.com