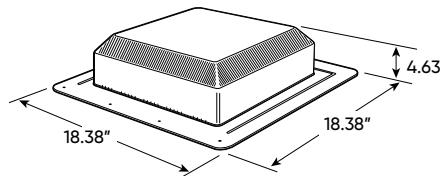


Duraflo® WeatherPRO® Series PRO50 Roof Vent

WeatherPRO® Technology was designed with the harsh North American climates in mind, allowing high airflow while providing excellent defense against weather infiltration. With no moving parts, the unique baffle system effectively deflects rain and snow, allowing water to drain harmlessly out of the drainage openings. The Duraflo® WeatherPRO Series PRO50 is subjected to extensive testing such as the Miami Dade county hurricane test, as well as extreme cold weather impact testing.

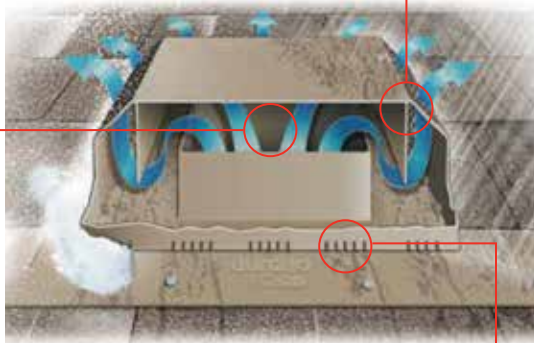
PRO50 18.38" x 18.38" x 4.63" (9/carton)

Color	Part Number
Black	60PRO50BL
Brown	60PRO50BR
Gray	60PRO50G
Weatherwood	60PRO50WW



Warm moist air exits in a chimney like fashion eliminating shingle stains

Unique baffle system wards off driving snow and blistering rain

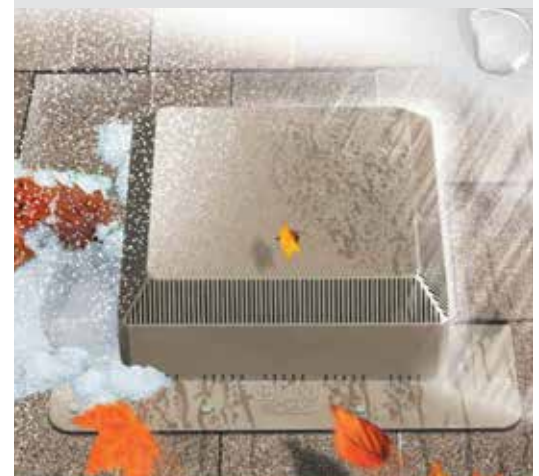


Drainage openings allow water to escape

Features & Benefits:

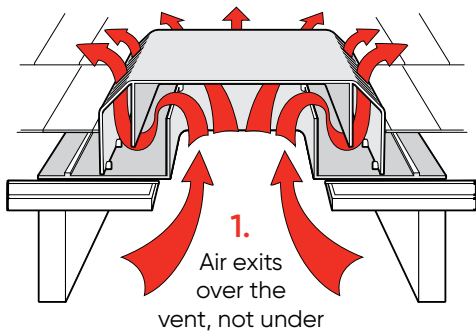
- Unique, patented, weather infiltration protection internal baffle system
- Indicator lines for easy installation
- Made from durable, UV resistant polypropylene to resist denting, crushing and corrosion
- Cold impact resistant down to -40°
- Net free venting area of 50 sq. in.
- Five PRO50's will ventilate 1000 sq. ft. of attic space (approx)
- Roof pitch range 2/12 – 14/12
- Top venting design uses chimney effect to channel moist air away from roof eliminating shingle staining
- Vent cap design with built in weeping holes eliminates bird nesting and water pooling
- Extends the life of roof shingles

Standards:

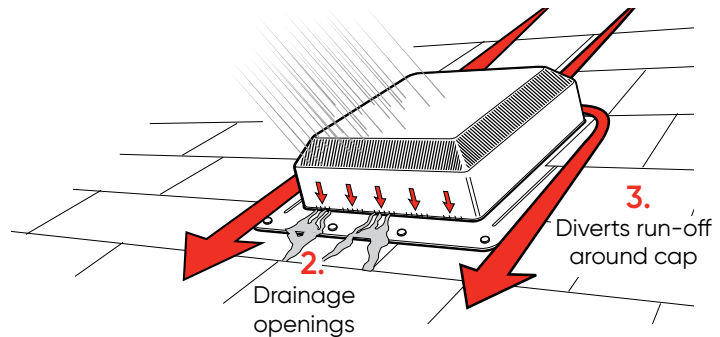


CDN. Patent 2,313,601, U.S. Patent 6,767,281

Description



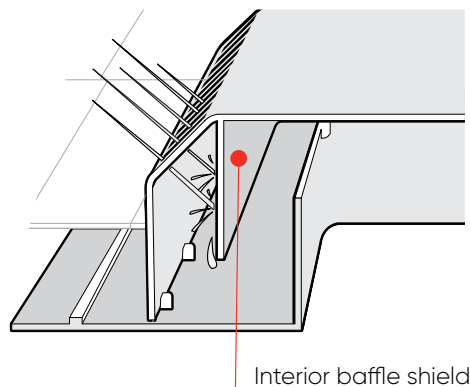
1. Unique baffle system wards off driving snow and blistering rain while allowing warm moist air to exit in a chimney like fashion eliminating shingle stains.



2. Drainage openings allow for water to escape.
3. PRO50 design diverts water around vent cap. The flat exterior wall acts as second weather defense system while improving airflow.

Weather Protection

WeatherPRO's patented internal baffles deflect water and snow, allowing it to drain harmlessly out the drainage openings. Designed to allow high airflow while providing excellent defense against weather infiltration.



Contact us

Visit our website: ipexna.com /
sales@ipexamerica.com

Eastern U.S. Toll free: (800) 463-9572
Western U.S. Toll free: (888) 461-5307

Duraflo® is a registered trademark.