

Duraflo® StretchFit Pipe Roof Flashing

The Duraflo® StretchFit Pipe Roof Flashing can stretch beyond 200% to accommodate a wide variety of pipe sizes. Installers no longer have to carry multiple size flashings or pull and tear inferior materials risking poor pipe seals.

With the easy-to-install StretchFit flashing, you keep the roof around your pipes free of leaks. Simply slide it over the pipe and fit it in place to keep water outside where it belongs.

Features:

- Available in 1-1/2" to 2" and 3" to 4"
- Suitable for roof pitches from 2/12 to 12/12
- Built in water deflectors
- Made from UV resistant polypropylene
- Cold impact resistant to -40°
- Thermoplastic base
- PermOseal stretch fit seal

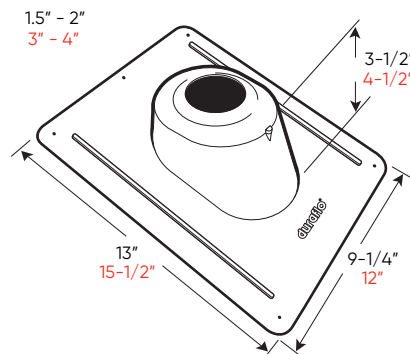
StretchFit Roof Flashing (12/carton)

1-1/2" to 2" (Flange size 9-1/2" x 13")

Color	Part Number
Black	551222BL
Brown	551222BR
Gray	551222G
Weatherwood	551222WW

3" to 4" (Flange size 12" x 15-1/2")

Color	Part Number
Black	551224BL
Brown	551224BR
Gray	551224G
Weatherwood	551224WW



Contact us

Visit our website: ipexna.com /
sales@ipexamerica.com

Eastern U.S. Toll free: (800) 463-9572
Western U.S. Toll free: (888) 461-5307

Duraflo® is a registered trademark.