

Duraflo[®] PRO Electrical Mounting Blocks

The WeatherPRO[®] series features molded rain channels that incorporate the principals of surface tension. Water cascades down the surface of the wall and is diverted through molded rain channels existing over the rain flange.

An alternative to standard electrical blocks, Duraflo[®] offers the PRO Electrical Light Block and the Pro Electrical Plug Block to complete your roofing job. The Duraflo PRO Electrical Mounting Blocks are for vertical exterior wall installation as a mounting point for exterior lights or receptacles.

PRO Electrical Block (12/carton)

Description	Part Number	Size
Plug Block	641095-00	5-3/4" x 7-1/2"
Light Block	641055-00	7-1/2" x 8-1/2"



Built-in strain relief

Only one small hole required for the wire, protecting the integrity of the building envelope

Features & Benefits:

- Over Air Barrier (OAB) weather protection
- Ideal for manufactured homes.
- Eliminates the need to cut into the building envelope with anything larger than the size of the electrical wire.
- Reversible trim ring to accommodate 5/8" -1 1/4" siding
- Patented molded rain channels diverts water from the back wall before it can penetrate the building envelope.
- Saves time and labor with a two-in-one application.
- Polypropylene

Standards:

 CSA/UL approved

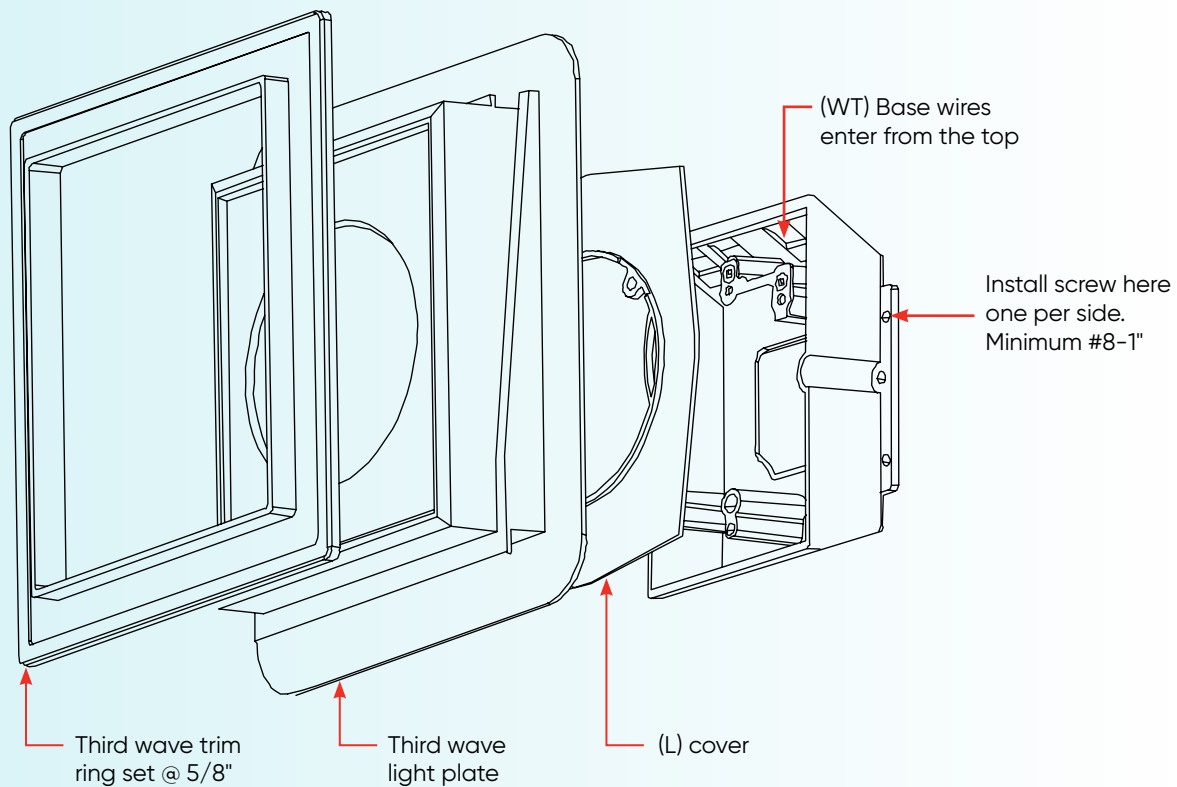


PRO Electrical
Plug Block

PRO Electrical
Light Block

New Construction Installation

1. Install air barrier over minimum 1/2" wall sheathing
2. Drill 3/4" hole through sheathing and air barrier. Run wire 8" minimum out of the hole
3. Insert wire into cable restraint on (WT). Fasten (WT) to wall using 2-#8X1
4. Install (L) onto (WT)
5. Install third wave light mount over (WTL) and level. Fasten third wave light with 4-1 1/4" nails (2 per side)
6. Tape light mount nail flange to air barrier using SA. Membrane
7. Install trim ring. Make sure it sits flush to the cladding
8. Install light with gasket



Contact us

Visit our website: ipexna.com / sales@ipexamerica.com

Eastern U.S. Toll free: (800) 463-9572 | Western U.S. Toll free: (888) 461-5307

Duraflo® is a registered trademark.