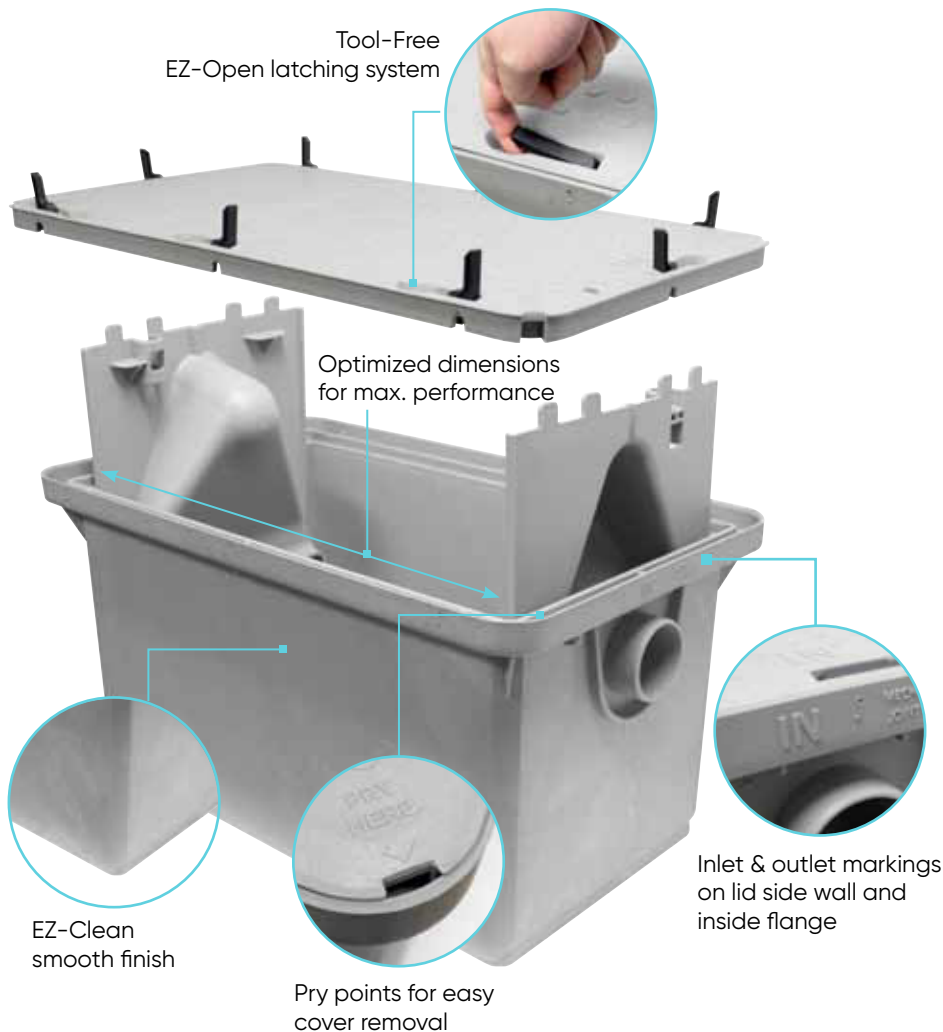


Endura[®] 25XT Grease Interceptor

Unique Processing Technology for XT

Using a specialized & proven injection molding process, unique to Endura[®], our PP thermoplastic is designed to build a structural 'framework' to offer strength and durability for larger volume parts, while optimizing the overall product weight.



Features and Benefits:

- EZ-Open cover latches now include finger friendly detail simplifying access
- Unique & proven production process adds rigidity without the need for external ribs allowing smooth tank finish for ease of cleaning
- Improved grease separation efficiency for peace of mind & operational performance
- Additional marking of 'In' and 'Out' inside tank flange— Installed On-floor or In-floor, provides clear indication of flow direction & cover orientation
- Pry points are added to the cover providing defined location for a suitable tool when removing a stubborn cover
- Endura 3925XTA02 and 3925XTA03 models are supplied with 2" or 3" connections, our uniquely accessible flow control device and full installation and operation guidelines

Standards:



U.P. Code
ASME A112.14.3
& CSA B481.1



Contact us

Visit our website: ipexna.com/
enduragrease.com

Eastern U.S. Toll free: (800) 463-9572

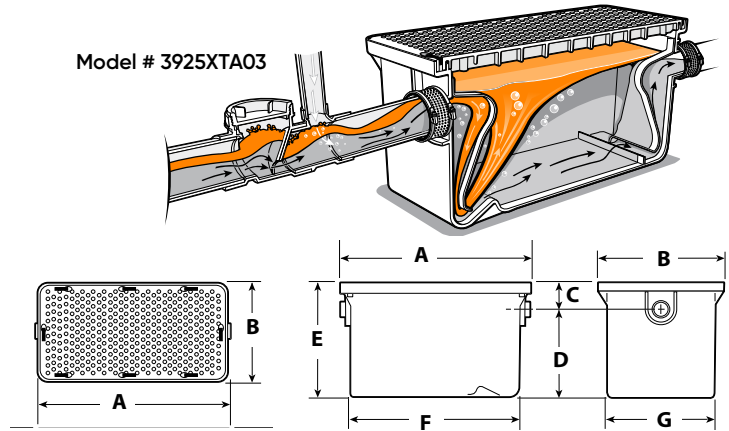
Western U.S. Toll free: (888) 461-5307

Endura[®] is a registered trademark.

Endura® 25XT Grease Interceptor

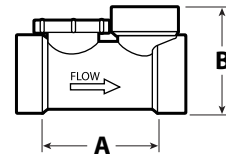
Tank Dimensions

Dim.	# 3925XTA02 (2")	# 3925XTA03 (3")
A	31.25" (793.75mm)	31.25" (793.75mm)
B	18.5" (469.9mm)	18.5" (469.9mm)
C	4" (101.6mm)	4.5" (114.3mm)
D	12.5" (317.5mm)	12" (304.8mm)
E	16.5" (419.1mm)	16.5" (419.1mm)
F	28" (711.2mm)	28" (711.2mm)
G	15.5" (393.7mm)	15.5" (393.7mm)



Flow Control Dimensions

Dim.	1 Piece Compact (2" h x h)	2 Piece (2" h x h)	2 Piece (3" h x h)
A	3.94" (100mm)	3" (76.2mm)	4.23" (107.4mm)
B	3.44" (87.4mm)	3.84" (97.5mm)	5.93" (151mm)

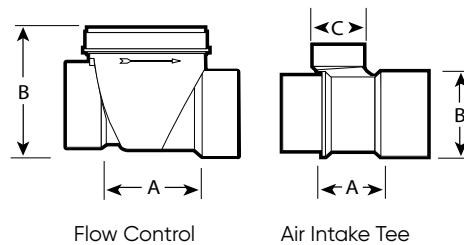


1 Piece Compact Flow Control
(2" Version Illustrated)

A 2", two piece flow control is also available for purchase.

Air Intake Dimensions

Dim.	2" spg x h	3" spg x h
A	2.91" (73.9mm)	2.67" (67.8mm)
B	2.71" (68.8mm)	4.01" (101.9mm)
C	2.24" (56mm)	2.27" (57.7mm)



Flow Control

Air Intake Tee

Capacities

Description	Endura 25-02 # 3925XTA02 (2")	Endura 25-03 # 3925XTA03 (3")
US Gallons/Minute - GPM (L/Sec)	25 (1.6)	25 (1.6)
Minimum Grease Capacity - lb (kg) *	50 (22.68)	50 (22.68)
Grease Capacity Actual - lb (kg) ▲	72.55 (32.90)	73.01 (33.11)
Average Efficiency % (ASME A112.14.3) †	96.7%	97.3%
Operating Temperature Capabilities	220°F (104°C)	220°F (104°C)
Cover Load Rating - CSA B481.0 (Proof Load for Approval) (L)	440 lb (200 kg)	440 lb (200 kg)
Unit Weight (Empty) - lb (kg)	35.61 (16.153)	37.77 (17.136)
Liquid Capacity - gal (L)	30.6 (115.83)	29.5 (111.67)
Connection size (mechanical joint only)	2"	3"

* CSA B481.1

▲ Grease Capacity Min - lb (kg):

Industry minimum grease capacity based on GPM flow rate. Requires minimum 2 lb of grease capacity for each GPM of flow.

† Grease Capacity Actual - lb (kg):

Actual capacity at breakdown when tested to ASME A112.14.3

Contractor shall install Endura 25XT Grease Interceptor, Part Number: □ 3925XTA02 □ 3925XTA03 – (mark as applicable) supplied with operationally accessible external flow control device and installed per manufacturer's instructions. The interceptor tank shall be of single piece injection molded thermoplastic construction, capable of withstanding constant discharge temperatures up to 212°F (104°C). The interceptor shall incorporate a CSA B481.0 approved cover with cam-latch access system and be capable of supporting 440lb (220kg). Endura modular riser extensions part number 3925AX6 – Enter Quantity: _____, □ are □ are not required for this installation – refer to manufacturers installation instructions. The interceptor shall be tested and approved to the current version of PDI-G101, ASME A112.14.3 and CSA B481 and manufacturer will provide option for xtended warranty for a period of 10 years from date of installation. Contractor o provide locally approved mechanical joint couplings for connection of adjacent piping system to the grease interceptor.

Technical Support:
tech-support@endurainterceptor.com