

## Endura<sup>®</sup> XL Sampling Well

Sampling the effluent exiting a grease interceptor system has become a requirement for Authorities Having Jurisdiction (AHJs) across the country. With varying local codes, engineering details, and methodologies, we offer a turnkey solution.

The code compliant Endura Sampling Well offers both convenience and peace of mind to installers, inspectors, and food service establishment (FSE) operators. The Sampling Well will comply with jurisdictions that require the installation of an effluent sampling point downstream from grease interceptors serving FSEs.

The Sampling Well ensures sample consistency and is offered with a choice of 6 outlets allowing for multiple directional changes from the inlet; each inlet and outlet provides for a 4" or 6" connection. Along with an 8" displacement between upper and lower connections for new installations.

The sampling well is available with a Traffic S-Rated, a Pedestrian M-Rated for Light Traffic Cover or Cast Iron Cover.



### Features and Benefits:

#### Endura Solids Basket:

- Corrosion resistant construction
- Lightweight, easy to transport and install
- Two products in one, "straight thru" and "Offset" connection options
- Choice of 6 outlets (allowing 90° directional changes from inlet) and 8" vertical displacement
- Integrated 4" and 6" outlet options
- Lower connections when used promote self-cleaning
- Bottom profile and multiple connections add stability and flotation resistance
- Built in fall – 1/2" across in to out – suits existing installations/ replacement market
- Cast Iron option is for outdoor application only

### Endura XL Sampling Wells with 4" and 6" Connections

Endura XL	Part Number	Product Code
Endura Sampling Well w/ Traffic S-Rated Cover	4075A04M	766115
Endura Sampling Well w/ Pedestrian M-Rated Cover	4075A04MT	766118
Endura Sampling Well w/ Cast Iron Cover	40100A04M	766136



S-Rated Traffic Cover



M-Rated Traffic Cover



Cast Iron Cover

### Contact us

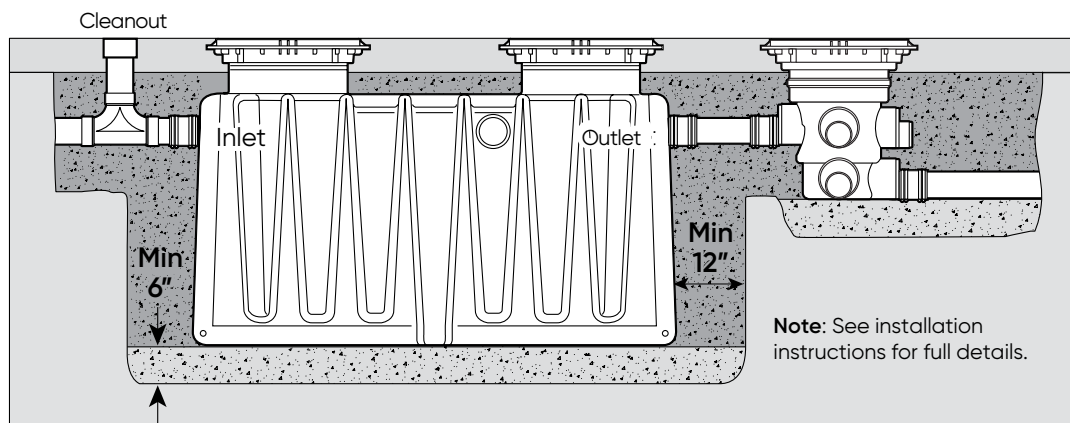
Visit our website: [ipexna.com/](http://ipexna.com/)  
[enduragreasemanagement.com](http://enduragreasemanagement.com)

Eastern U.S. Toll free: (800) 463-9572  
Western U.S. Toll free: (888) 461-5307

Endura<sup>®</sup> is a registered trademark.

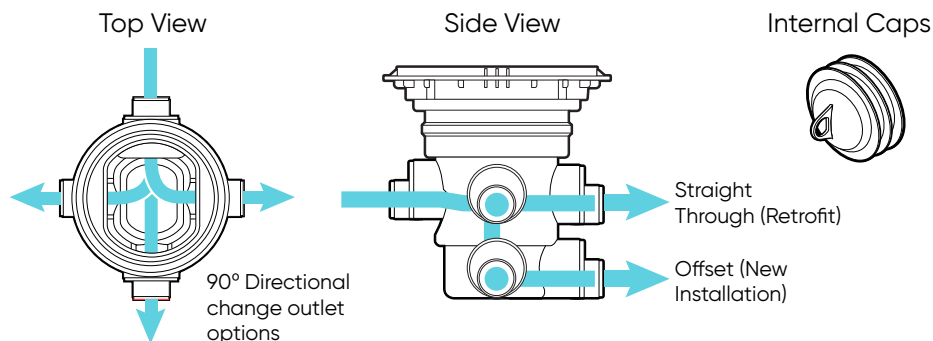
## Location:

Sampling Well should be located as close as possible to the outlet connection of the grease interceptor. A minimum of 15" - 18" clearance above the access cover is recommended to accommodate sampling equipment. **Always consult local codes and standards for plumbing requirements.**



## Select Outlet:

The Endura XL Sampling Well provides a choice of 6 outlets to suit any installation. Select desired outlet and remove internal cap; all other outlets should remain capped off. **Only one outlet is to be used per application**



## Riser Extensions:



Technical Support:  
[tech-support@endurainterceptor.com](mailto:tech-support@endurainterceptor.com)