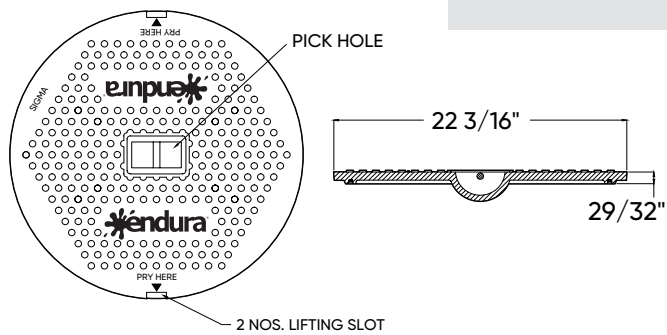


Endura[®] XL Cast Iron Access Cover

This product offering allows for greater flexibility in selecting between a cast iron access cover or an engineered thermoplastic cover.

Benefits:

- Meets H₂O loading standards
- 70lb access cover allows for airtight seal without bolts/cover fasteners
- Recessed gasket prevents escaping odors
- 2 pry points and center pick hole for easy removal
- Access cover sits flush on frame



Endura XL Units with 22" Cast Iron Access Cover Option

Endura XL	Part Number	Product Code
Endura XL 50 GPM HE	4050HEA04C	766140
Endura XL 75 GPM HE	4075HEA04C	766141



Contact us

Visit our website: ipexna.com/
enduragreasemanagement.com

Eastern U.S. Toll free: (800) 463-9572

Western U.S. Toll free: (888) 461-5307

Endura[®] is a registered trademark.