

Endura[®]XL Grease Interceptor

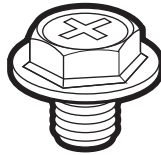
SS REPLACEMENT FASTENER KIT XL GRAY ENDURA INSTALLATION GUIDE 766161 - 40100ARFK

Parts:

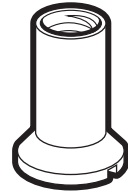
A. Socket Set Screw
with Blue Loctite
(4 supplied)



B. Bolt with
Red Loctite
(4 supplied)



C. 5/16 - 18 X 0.8
(4 supplied)



Installation Steps

1. Clean debris from the brass inserts in the lid frame to 1" depth.

2. Install the 4 new Socket Set Screws with Blue Loctite already applied (part A) See figure 1.1

3. Socket Set Screws are properly installed when they are .425" from the top of the brass insert in lid frame.

4. Insert the bolts with red Loctite (part B) into the top of the lid. (see figure 1.2)

5. Secure with 5/16 - 18 X 0.8 (part C) from the bottom of the lid. (see figure 1.2) These will now be retained in the lid.

6. Line up lid with the male socket set screws on the frame to secure the lid to the unit. (see figure 1.3)

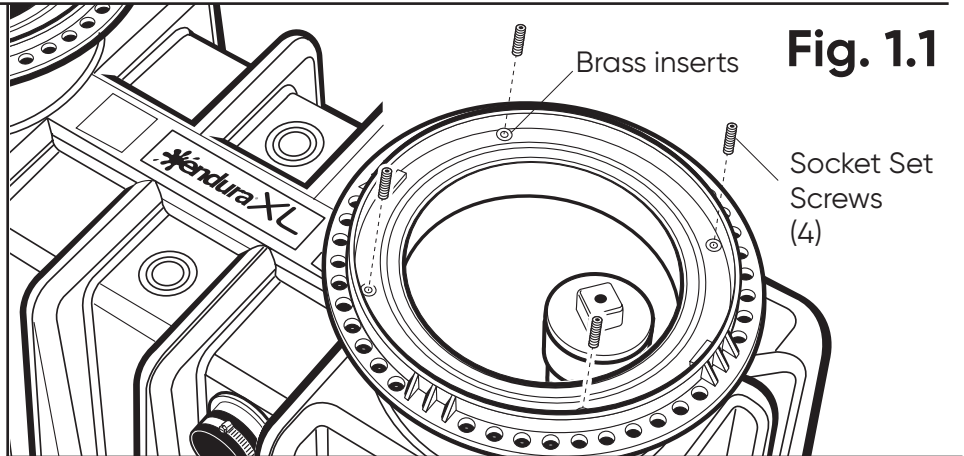
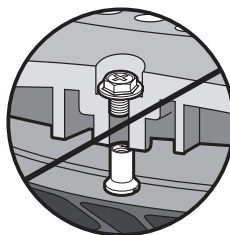
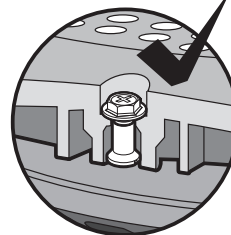


Fig. 1.2



Note: Older style lids
do not accept new
fastener system.



Newer style lids
accept new fastener
system.

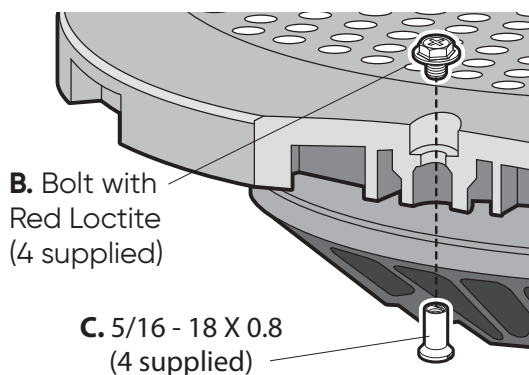


Fig. 1.3

