

**Xirtec® PVC Schedule 40/80
& Xirtec® CPVC Schedule 80 Wyes**

TOLL FREE CANADA: (866) 473-9462
ipexna.com

INDUSTRIAL PIPING SYSTEMS

Xirtec® PVC Xirtec® CPVC

Through a process of continuous improvement, IPEX has updated the production of our Xirtec® PVC and Xirtec® CPVC Wyes. IPEX is pleased to announce new and improved molded 1-1/2" and 2" Pressure Wye fittings.

Please note, the lay lengths have changed.

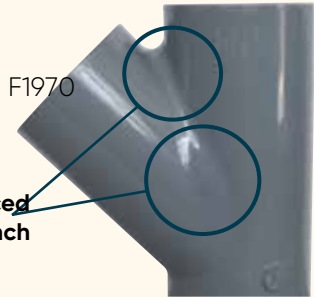
Our online CAD On-Demand has been updated to reflect these new attributes.



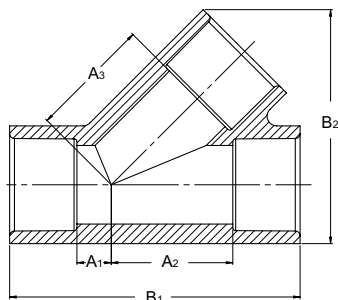
ADVANTAGES

- Reinforced Gusset and Wye branch maintains structural strength at higher pressure: 235 psi at 73°F
- Offered in both PVC and CPVC
- in sizes 1-1/2" and 2"
- NSF 14 certified to ASTM F1970
- Robust design

Gusset and Reinforced Wye Branch



SCHEDULE 40 & 80 45° WYES (SOC x SOC x SOC)



Size (in)	Material	Universal Part No.	IPEX Part No.	Critical Dimensions (inches)				
				B ₁	B ₂	A ₁	A ₂	A ₃
1-1/2	PVC Sch 40	475015	035912	6.00	4.83	0.71	2.51	2.51
1-1/2	PVC Sch 80	875015	036854	6.00	4.83	0.71	2.51	2.51
1-1/2	CPVC Sch 80	9875015	059553	6.00	4.83	0.71	2.51	2.51
2	PVC Sch 40	475020	035913	7.00	5.87	0.74	3.24	3.24
2	PVC Sch 80	875020	036855	7.00	5.87	0.74	3.24	3.24
2	CPVC Sch 80	9875020	059536	7.00	5.87	0.74	3.24	3.24

TBIXIP200803C