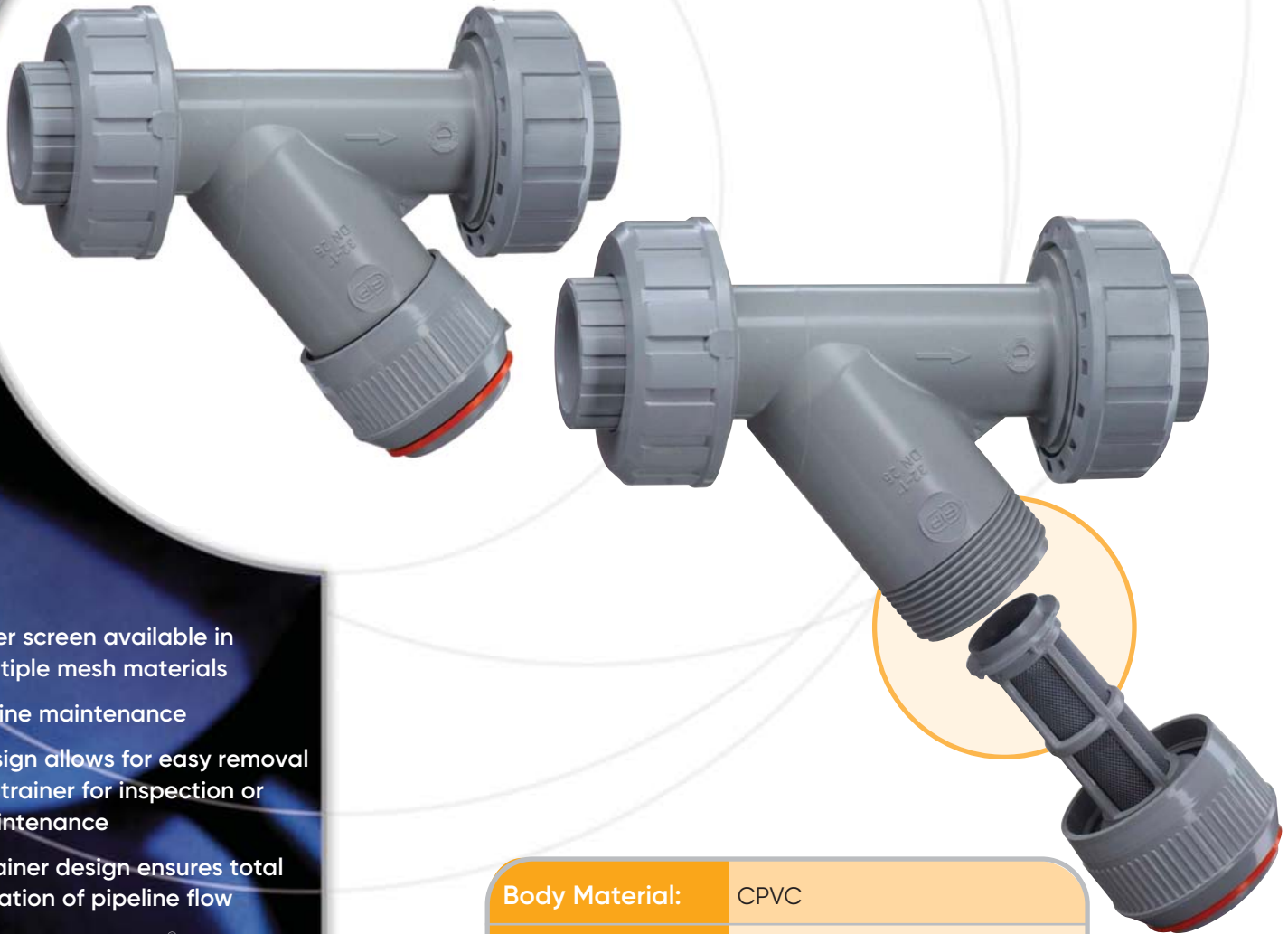


IPEX CORZAN® CPVC RV Y-PATTERN SEDIMENT STRAINER

PRODUCT INFORMATION BULLETIN

THE NEW CORZAN® RV Y – Pattern Sediment Strainer
protects critical pipeline components by
removing solids and suspended impurities



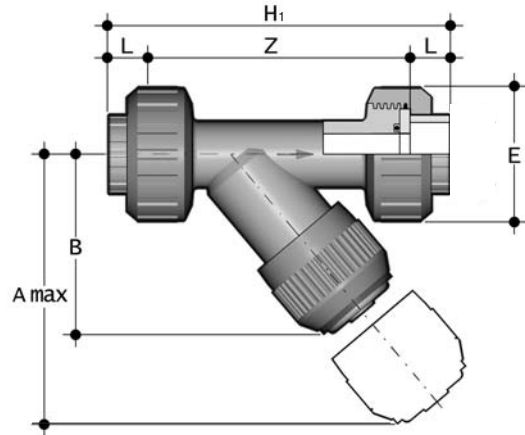
- Filter screen available in multiple mesh materials
- In-line maintenance
- Design allows for easy removal of strainer for inspection or maintenance
- Strainer design ensures total filtration of pipeline flow
- Part of the Corzan® CPVC system of pipe, valves and fittings

Body Material:	CPVC
Size Range:	1/2" – 2"
Pressure:	230 psi (1/2" – 2")
Seals:	FKM EPDM available upon request
End Connections:	Socket (ASTM) Threaded (NPT) Flanged available upon request



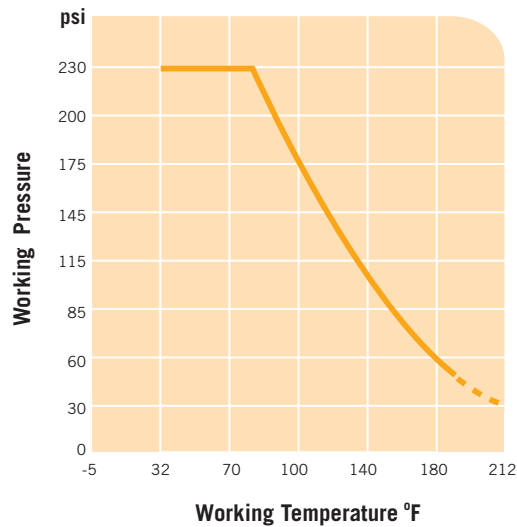
IPEX Inc.
Toll Free: (866) 473-9462
ipexna.com

IPEX CPVC RV Y – Pattern Sediment Strainer



Dimensions (in.)										
Size	Product Codes	Pressure (psi)	Amax	B	E	L	Z	H1	Socket Threaded	Weight (lbs)
1/2	053334	230	4.92	2.83	2.17	0.88	4.09	5.87	5.59	0.51
3/4	053335	230	5.71	3.30	2.60	1.00	4.76	6.77	6.26	0.86
1	053336	230	6.50	3.74	2.95	1.13	5.22	7.48	7.20	1.27
1-1/4	053337	230	7.48	4.37	3.43	1.26	6.26	8.78	8.42	1.77
1-1/2	053338	230	8.27	4.72	3.94	1.38	7.13	9.88	9.25	2.64
2	053339	230	9.45	5.47	4.72	1.50	8.72	11.73	11.22	4.45

Dimensions are in inches, weight in pounds.



Size (in)	Cv
1/2	2.8
3/4	4.9
1	7.2
1-1/4	13.2
1-1/2	17.8
2	28.7

Cv = flow rate (GPM) @ 68°F with 1 psi pressure drop

Filter Screen Sizes		
Material	pp	ss
Hole Pitch (in.)	1/16	1/32
Holes per sq. inch	645	1548
Equivalent ASTM mesh size	30	35

Size	Replacement Screen Product Codes	
	pp	ss
1/2	053332	053979
3/4	053340	053980
1	053341	053981
1-1/4	053342	053982
1-1/2	053343	053983
2	053344	053984