

Scepter JBox Pole Mounting Kit

The Pole Mount Kit facilitates the secure attachment of a Scepter JBox onto a pole, such as an outdoor utility power pole. The kit is shipped with two identical sets of brackets with all hardware for fastening to the JBX box and two sets of metal straps for securing to the pole. It can be used on wooden, concrete, steel and fiberglass poles of round, square and octagonal shape up to 15" in diameter. The brackets are constructed of plated galvanized steel and supplied with stainless steel hardware and straps providing robustness and are suitable for indoor or outdoor installations.

MATERIAL

Stainless steel
Galvanized steel

FASTENER TOOLS

#2 Phillips screwdriver
Ratchet
M10 (3/8") box wrench
M8 (5/16") socket

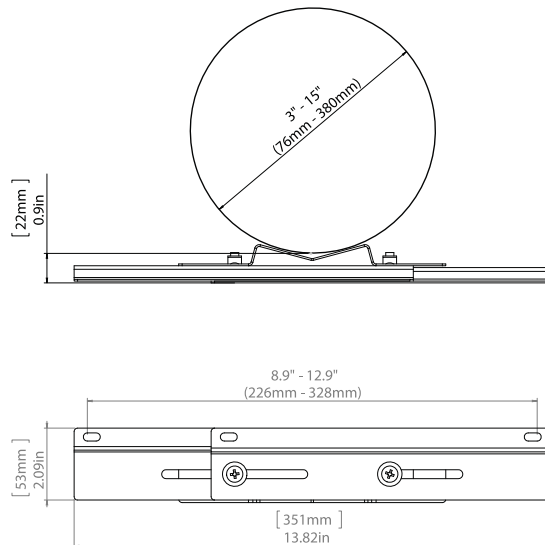
MAX. STATIC WEIGHT

4" - 12" 40 lbs / 18.1 kg
14" - 16" 120 lbs / 54.4 kg

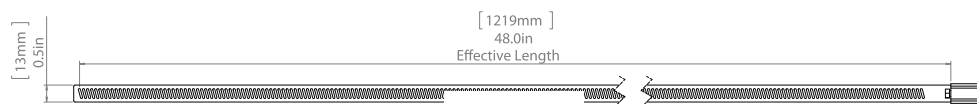
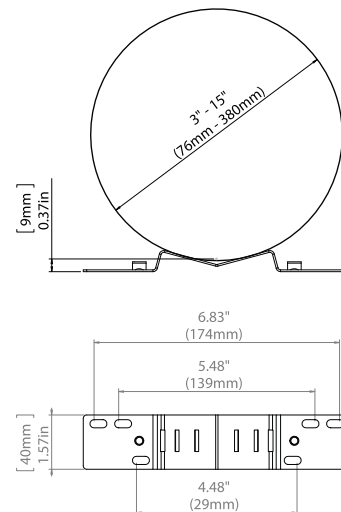
Part Number	Product Code	Fits JBox	Material
PMK4-12	077940	4" - 12"	Galvanized Steel
PMK4-12SS	077946	4" - 12"	Stainless Steel
PMK14-16SS	277086	14" - 16"	Stainless Steel

FOR MOUNTING

4" to 6" JBX



8" to 12" JBX



FOR MOUNTING
14" and 16" JBX

