

Junction Box: Pole Mounting Kit

PMK4-12SS | 077946

The PMK4-12SS stainless steel pole mount kit facilitates a quick and easy installation of a JBX junction box onto a pole, such as an outdoor utility power pole.

APPLICATION / USE

The PMK4-12SS pole mount kit is specifically designed for use with Scepter JBX junction boxes. This universal kit accommodates junction box sizes 442 to 12128 for the secure attachment of JBX boxes to all types of poles. The PMK4-12SS kit is shipped with two identical sets of brackets with all hardware for fastening to the JBX box and two sets of metal straps for securing to the pole. The PMK4-12SS can be used on wooden, concrete, steel and fiberglass poles of round, square and octagonal shape up to 15" in diameter. The brackets are constructed of plated galvanized steel and supplied with stainless steel hardware and straps providing robustness and are suitable for indoor or outdoor installations.

MATERIAL

Stainless steel

FASTENER TOOLS

#2 Phillips screwdriver
Ratchet
M10 (3/8") box wrench
M8 (5/16") socket

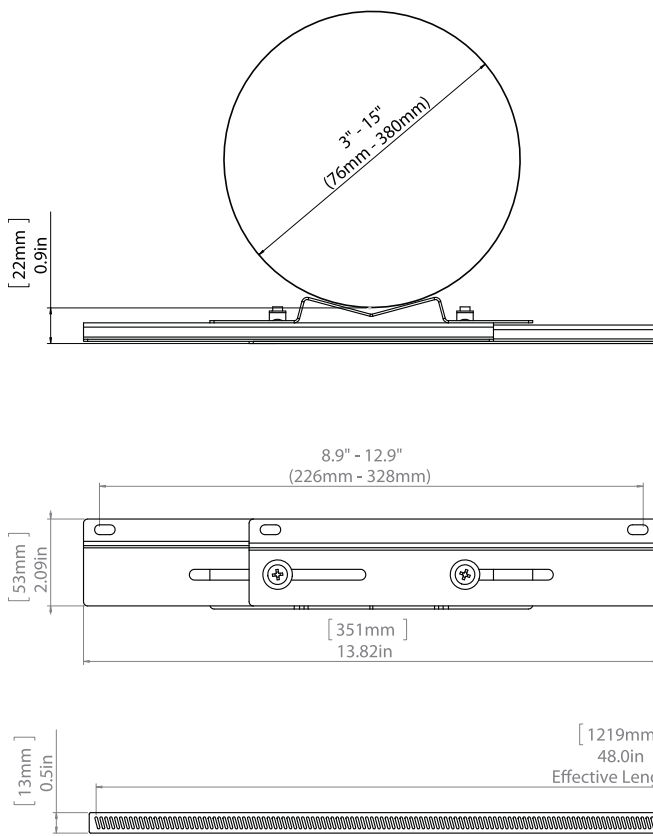
PACKAGING

Carton Quantity: 10
Carton Weight: 11.6 lbs / 5.3 kg

MAX. STATIC WEIGHT

40 lbs / 18.1 kg

For Mounting 8" & 12" JBX



For Mounting 4" & 6" JBX

