

Junction Box: Back Panels

BP1212CSW | 077865

Back Panels of the appropriate size are available to fit the Scepter JBox in the 6 x 6 size and larger. IPEX back panels are made of 14 gauge carbon steel and have a white epoxy powder coat finish. Panels have pre-drilled holes that correspond to the mounting posts in the Scepter JBox to be easily attached using Pan Head #10 X 1/2" thread forming screws.

APPLICATION / USE

JBX junction boxes can be used to enclose electrical equipment in non-hazardous locations. Back panels provide a means for mounting devices and equipment in an enclosure without compromising the NEMA rating of the enclosure.

MATERIAL

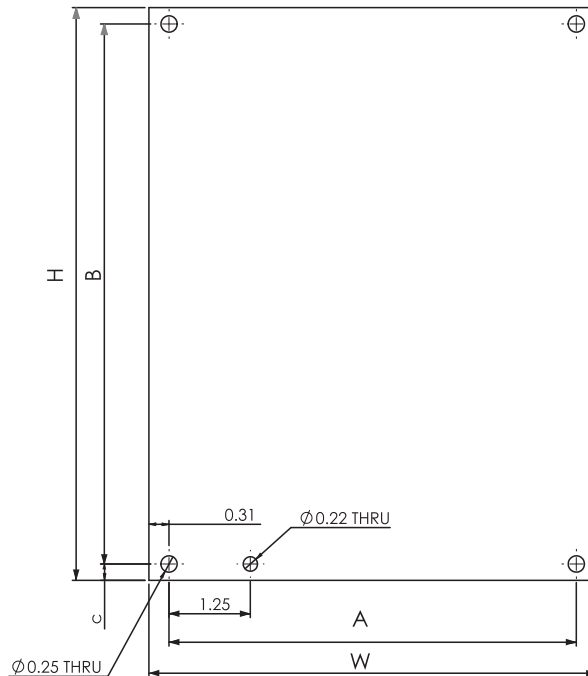
#14 gauge carbon steel,
white epoxy powder coat

FASTENER

Pan Head #10 X 1/2"
thread-forming screw

PACKAGING

Carton Quantity: 8
Carton Weight: 25.5 lbs / 11.6 kg



Trade Size	Part No.	Product Code	Dimensions (inches)				
			W	H	A	B	C
12 x 12	BP1212CSW	077865	10.88	10.75	10.26	10.25	0.25