

Sceptalight™ LED

LVPF-LED | 277074

Sceptalight LEDs provide exceptional lighting for wet and corrosive environments. They can be used in a variety of commercial and industrial applications where durability and water tightness are required. Sceptalight LEDs have been built from durable materials and tested and certified to the latest luminaire and retrofit standards. Sceptalight LEDs provide over 1000 lumens of light output using only 15W of electricity and are dimmable down to 5%.

APPLICATION / USE

Sceptalight LEDs are intended for use with non-metallic conduit systems (PVC), designed and approved for indoor and outdoor applications, NEMA 4X and IP66 rated for wash down and corrosive environments.

MATERIAL

EPDM (Gasket), Aluminum (Heat Sink),
Globe (Polycarbonate),
Base (Glass filled Polyester)

STANDARDS

CSA 22.2 250.0,
CSA T.I.L. B-79A, UL 1598,
UL 1598C

FLAMABILITY RATING

5VA

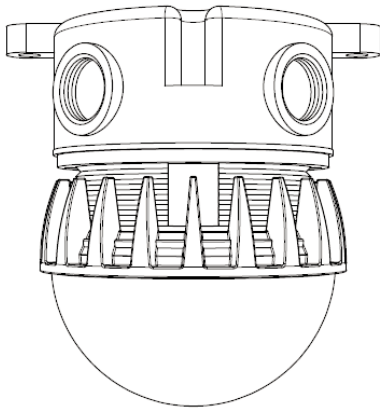
ENVIRONMENT RATING

NEMA 4X / IP66

PACKAGING

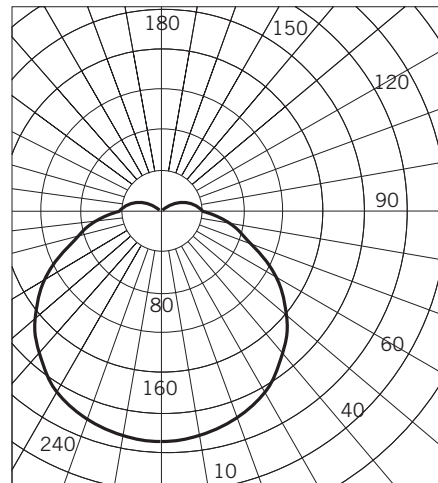
LVPF-LED

Carton Quantity: 6
Carton Weight: 4 kg/9lbs



L: 6"
W: 5"
H: 5 1/2"

Lumen Output	1000 lm
Input Voltage	120 VAC
Frequency	60 Hz
Nominal Power	15 W
Color Temperature	5000 K
CRI	> 80
Power Factor	> 0.98
Total Harmonic Distortion	< 10.5%
Operating Temperature	-40 C to 40 C
Dimmability Range	Down to 5%
Rated Life	> 50,000 Hours
* Warranty	5 Years



*** LIMITED WARRANTY & LIMITATION OF LIABILITY:**

Consult IPEX Sceptalight™ LED Retrofit Light Engine Specific Terms and Conditions of Sale and Limited Warranty and Limitation of Liability for further details, available at ipexna.com.