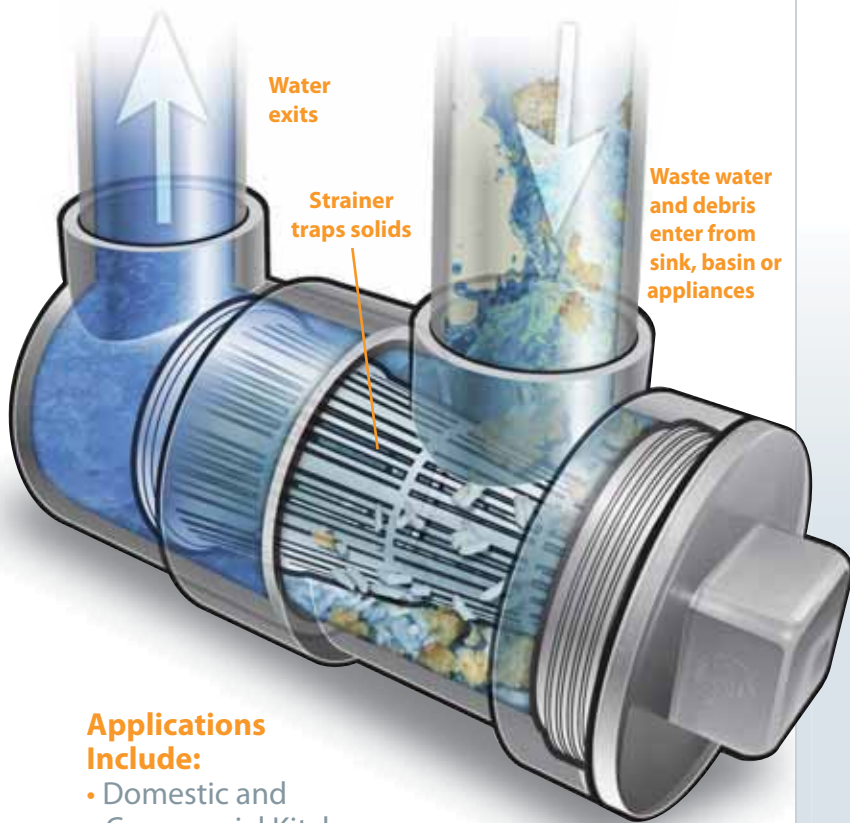


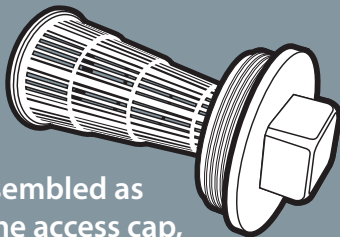
**Manages debris and safeguards against the loss of valuable items**



### Applications Include:

- Domestic and Commercial Kitchens
- Hair and Beauty Salons
- Barber Shops
- Pet Grooming Parlors
- Healthcare Facilities
- Dormitories/Motels

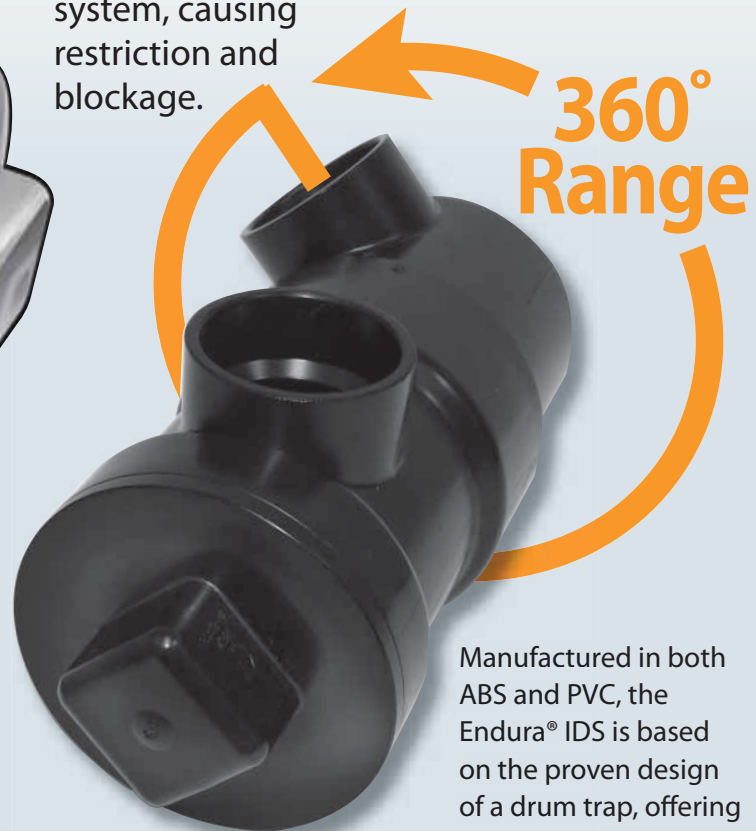
## Filter Screen



The filter screen, assembled as an integral part of the access cap, has 10 times the open area of the inlet and outlet connections extending the interval of cleaning and providing easy, non-contact removal of captured debris. Simply unscrew, withdraw, tap and replace – That's it!

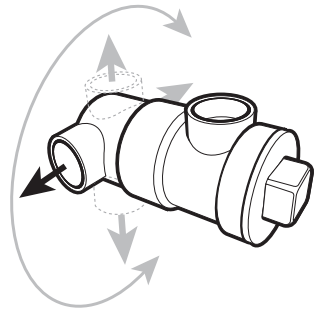
# Endura® InLine Drain Strainer

*Installed on individual sink wastes in kitchen and sanitary applications,* the Endura® InLine Drain Strainer (IDS) prevents food debris, hair, lint and similar solid material from entering the drainage system, causing restriction and blockage.



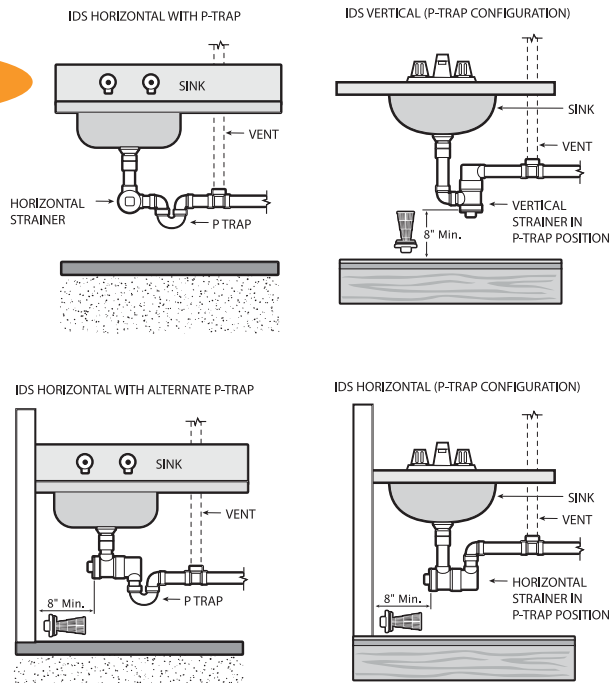
Manufactured in both ABS and PVC, the Endura® IDS is based on the proven design of a drum trap, offering complete flexibility of installation either horizontal or vertical, the outlet being able to be set anywhere in a 360° range.

# endura<sup>®</sup> InLine Drain Strainer



Fitted in conjunction with or in place of a P-trap, the Endura IDS can be used in applications where space is at a premium, providing ease of access to the end user. As a development of a specialty plumbing fitting, dimensionally the Endura IDS is manufactured in accordance with the performance and dimensional requirements of North American plumbing systems.

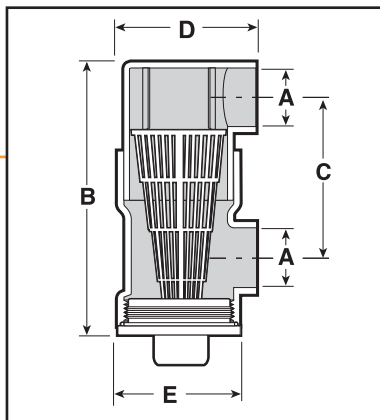
## Typical Installation



Unlike competitive products the body of the Endura IDS is supplied 'loose-assembled'. This means that when it comes to installation the installer retains the full benefit of being able to orientate the outlet to suit the installation, only solvent welding the main joint when the location and orientation have been confirmed. Be it a domestic or commercial application these four images show typical IDS installations.

## Installation Awareness

Regardless of the application, when installing the Endura IDS, at least 8" of clearance must remain in the direction of strainer removal. This will allow sufficient space for a catch container to collect any water or debris held in the unit, depending on its orientation.



## Product Dimensions

Endura <sup>®</sup> In-Line Drain Strainer						
Part Number	Material	A	B	C	D	E
393243A	ABS	1.5" Nom Dia.	9.1"	4.9"	4.3"	3.9"
393243AW	PVC	1.5" Nom Dia.	9.1"	4.9"	4.3"	3.9"



Eastern U.S. Customers  
Tel: (289) 881-0120  
Toll Free: 1-800-463-9572  
Fax: (905) 844-0826

Western U.S. Customers  
Tel: (303) 373-1918  
Toll Free: 1-888-461-5307  
Fax: (303) 373-1923

[www.ipexamerica.com](http://www.ipexamerica.com) | [sales@ipexamerica.com](mailto:sales@ipexamerica.com)